

TECHNICAL DATA SHEET

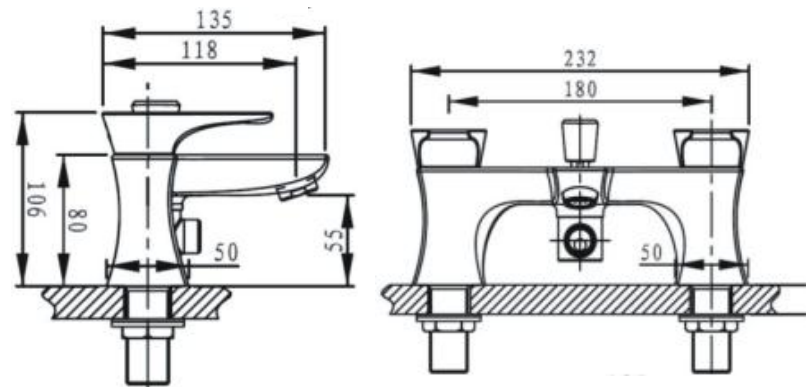
BRISTAN

Hourglass

Hourglass Bath Shower Mixer

Product Specification

Product Code: HOU BSM C
 Finish: Chrome
 Product Type: Contemporary
 Construction: Body is of brass construction and is designed to conform to BS EN 200
 Valve Type: ¼ Turn ¾" ceramic disc valves
 Supply: Suitable for all plumbing systems
 Inlet Connections: ¾" BSP
 Working Pressures: Min 0.2bar, Max 8.0bar



Additional Information

- Supplied with Metal Handles & Metal Backnuts,
- Supplied with 1.75m Hose, Rub Clean Handset & Wall Bracket
- Chrome plated to BS EN 248.

Technical Advice: For further information please call 0844 7016273 or email customer@bristan.com.
 Guarantee: 5 years covering manufacturing faults.

Flow Rates (litres per minute)

System Pressure	0.2bar	0.5bar	1bar	2bar	3bar	5bar
Bath Filler (Hot)	12.3	28.4	40.3	57.7	--	--
Bath Filler (Cold)	11.8	30.0	41.6	59.3	64.4	--
Bath Shower Mixer (Handset)	7.3	11.6	16.4	22.6	28.4	--

Bristan, Birch Coppice Business Park, Dordon, Tamworth, B78 1SG
 Telephone: 0844 701 6274 Facsimile: 0844 701 6275
 Web Site: www.bristan.com Email: enquire@bristan.com



D3

The information contained on this page was correct at date of issue. Fitting dimensions are provided as a guide only. Some variation may occur due to manufacturing tolerances. Bristan pursues a policy of continuing improvement in design and performance of its products and so reserves the right to change specifications without prior notice.

For latest prices and delivery to your door visit MyTub Ltd - www.mytub.co.uk - info@mytub.co.uk

