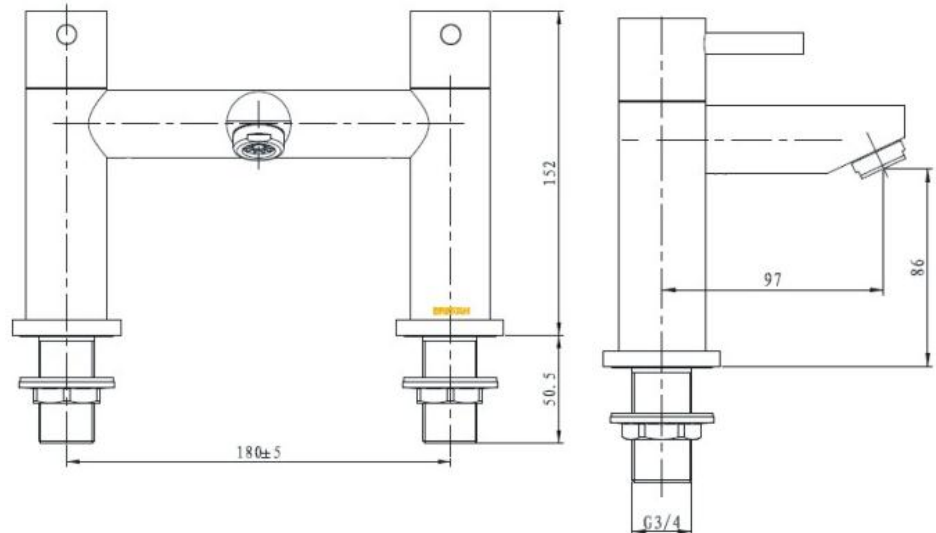


BLITZ TAP RANGE BLITZ BATH FILLER

Product Specification

Product Code:	BTZ BF C
Finish:	Chrome
Product Type:	Contemporary
Construction:	Body is of brass construction and is designed to conform to BS EN 200
Valve Type:	1/4 Turn 3/4" Ceramic Disc Valves
Supply:	Suitable for all plumbing systems
Inlet Connections:	3/4" BSP
Working Pressures:	Min 0.2bar, Max 8.0bar



Additional Information

- Supplied with metal handles.
- Chrome plated to BS EN 248.

Technical Advice: For further information please call 0844 7016273 or email customer@bristan.com

Guarantee: 5 years covering manufacturing faults.

Flow Rates (litres per minute)

System Pressure	0.2bar	0.5bar	1bar	2bar	3bar	5bar
BTZ BF C - Single Outlet	14.3	22.6	31.8	44.9	55.0	71.1
BTZ BF C - Mixed	24.6	38.1	53.8	76.0	93.1	120.3