

TECHNICAL DATASHEET

COMMERCIAL OPAC THERMOSTATIC EXPOSED SHOWER VALVE WITH CHROME LEVER AND SHROUD

Product Specification



Product Code:	OP TS1503 SCL C
Finish:	Chrome
Product Type:	Commercial
Construction:	Body is of brass construction and is designed to conform to BS EN 1111:1999 (HP) & BS EN 1287:1999 (LP)
Valve Type:	Thermostatic Cartridge
Supply:	Suitable for all plumbing systems (Preferably balanced)
Inlet Connections:	15mm compression elbows
Outlet Connections:	½" BSP
Working Pressures:	Min 0.2bar, Max 8.0bar Maximum Static Pressure: 10.0 bar
Dimensions for Fitting:	125-132mm inlet centres

Additional Information

- Single sequential control for both temperature & flow.
- ABS protective shroud ensures safe surface temperature.
- Automatic thermostatic shut-off in the event of hot or cold water failure.
- Check valves and serviceable filters as standard
- Supplied as 'valve only' and thus can be customised by choosing accessories from our Pick 'N' Mix showering options. Please see our Product and Price guide for details.
- Adjustable inlet centres of 125-132mm.
- Chrome plated to BS EN 248.

Technical Advice: For further information please call 0844 7016273 or email customercare@bristan.com

Guarantee: 1 year covering manufacturing faults.

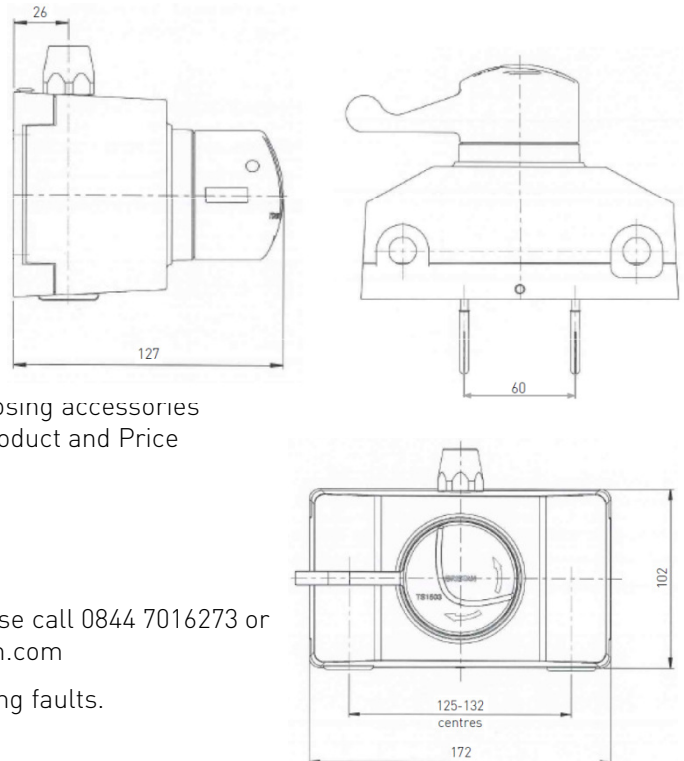
Compliance / Approvals

WRAS: Certificate N^o: 0712092

TMV3: Certificate N^o: BC397/1208

Flow Rates (litres per minute)

System Pressure	0.2bar	0.6bar	1bar	2bar	3bar	4bar	5bar
Open Outlet	12.0	22.0	29.0	42.0	52.0	60.0	66.0



Bristan, Birch Coppice Business Park, Dordon, Tamworth, B78 1SG
Telephone: 0844 701 6274 Facsimile: 0844 701 6275
Web Site: www.bristan.com Email: enquire@bristan.com



Guarantee

Delivery

0844 7016273

D2

The information contained on this page was correct at date of issue. Fitting dimensions are provided as a guide only. Some variation may occur due to manufacturing tolerances. Bristan pursues a policy of continuing improvement in design and performance of its products and so reserves the right to change specifications without prior notice.