

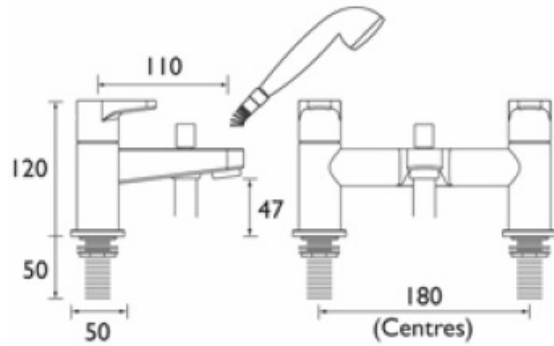
## TECHNICAL DATASHEET

### Quest

### Quest Bath Shower Mixer Chrome

### Product Specification

<b>Product Code:</b>	QST BSM E6 C, QST BSM E8 C
<b>Finish:</b>	Chrome Plated
<b>Product Type:</b>	Contemporary
<b>Construction:</b>	Body is of brass construction and is designed to conform to BS EN 200.
<b>Valve Type:</b>	¼ turn ¾" ceramic disc valves
<b>Supply:</b>	Suitable for all plumbing systems (Preferably balanced)
<b>Inlet Connections:</b>	¾" BSP
<b>Outlet Connection:</b>	G ½"
<b>Working Pressures:</b>	Min 0.3bar, Max 8.0bar
<b>Dimensions for Fitting:</b>	180mm inlet centres



### Additional Information

- Supplied with metal handles
- Chrome plated to BS EN 248
- Supplied with single function handset with rub clean nozzles, 1.5m hose & wall bracket
- Product supplied with either a 6 or 8 litre per minute flow regulator which can be fitted to the shower hose outlet to reduce water consumption and increase water efficiency. (Flow Regulator accurate +/- 10%).

**Technical Advice:** For further information please call 0844 7016273 or email [customer@bristan.com](mailto:customer@bristan.com)

**Guarantee:** 5 years covering manufacturing faults.

### Compliance/Approvals

Manufactured to comply with WRAS

### Flow Rates (litres per minute)

System Pressure	0.2bar	0.5bar	1bar	2bar	3bar	5bar
To Bath Fill	19.0	24.6	34.8	49.2	60.2	77.7
Without Flow Regulator Fitted (To Shower Outlet)	5.5	8.1	11.5	16.3	19.9	25.7
With 6 l/p/m Flow Regulator Fitted (To Shower Outlet)	--	--	6.0	6.0	6.0	6.0
With 8 l/p/m Flow Regulator Fitted (To Shower Outlet)	--	--	8.0	8.0	8.0	8.0

Bristan, Birch Coppice Business Park, Dordon, Tamworth, B78 1SG  
 Telephone: 0844 701 6274 Facsimile: 0844 701 6275  
 Web Site: [www.bristan.com](http://www.bristan.com) Email: [enquire@bristan.com](mailto:enquire@bristan.com)



The information contained on this page was correct at date of issue. Fitting dimensions are provided as a guide only. Some variation may occur due to manufacturing tolerances. Bristan pursues a policy of continuing improvement in design and performance of its products and so reserves the right to change specifications without prior notice.