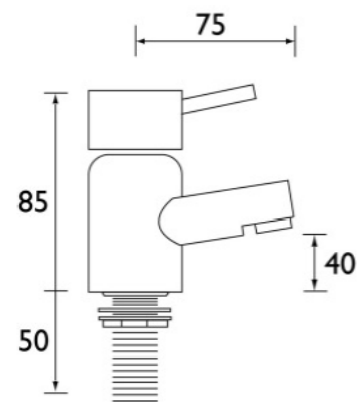


## TECHNICAL DATASHEET

### Prism Prism Basin Taps

#### Product Specification

|                           |   |
|---------------------------|---|
| <b>Product Code:</b>      | PM 1/2 E4 C, PM 1/2 E6 C  |
| <b>Finish:</b>            | Chrome Plated   |
| <b>Product Type:</b>      | Contemporary  |
| <b>Construction:</b>      | Body is of brass construction and is designed to conform to BS EN 200 |
| <b>Valve Type:</b>        | 1/2", 1/4 turn ceramic disc valves                                    |
| <b>Supply:</b>            | Suitable for all plumbing systems, (preferably balanced)              |
| <b>Inlet Connections:</b> | 1/2" BSP  |
| <b>Working Pressures:</b> | Min 0.2bar, Max 8.0bar  |



#### Additional Information

- Supplied with metal handles
- Product supplied with either 2 x 4 or 2 x 6 litre per minute flow regulators which can be inserted into the threaded tail to reduce water consumption and increase water efficiency (Flow Regulator accurate +/- 10%).
- Chrome plated to BS EN 248

• **Technical Advice:** For further information please call 0844 7016273 or email [customer@bristan.com](mailto:customer@bristan.com)

**Guarantee:** 5 years covering manufacturing faults.

#### Compliance/Approvals

Manufactured to comply with WRAS

#### Flow Rates (litres per minute)

| System Pressure                    | 0.2bar | 0.3bar | 0.4bar | 0.5bar | 1bar | 3bar | 4bar |
|------------------------------------|--------|--------|--------|--------|------|------|------|
| Without Flow Regulator Fitted      | 8.4    | 10.5   | 12.3   | 13.9   | 20.1 | --   | --   |
| With 4 l/p/m Flow Regulator Fitted | --     | --     | --     | --     | 4.0  | 4.0  | 4.0  |
| With 6 l/p/m Flow Regulator Fitted | --     | --     | --     | --     | 6.0  | 6.0  | 6.0  |

Bristan, Birch Coppice Business Park, Dordon, Tamworth, B78 1SG  
 Telephone: 0844 701 6274 Facsimile: 0844 701 6275  
 Web Site: [www.bristan.com](http://www.bristan.com) Email: [enquire@bristan.com](mailto:enquire@bristan.com)



The information contained on this page was correct at date of issue. Fitting dimensions are provided as a guide only. Some variation may occur due to manufacturing tolerances. Bristan pursues a policy of continuing improvement in design and performance of its products and so reserves the right to change specifications without prior notice.