

TECHNICAL DATA SHEET

Quest

Quest Wash Basins & Suitable Pedestals

Product Specification

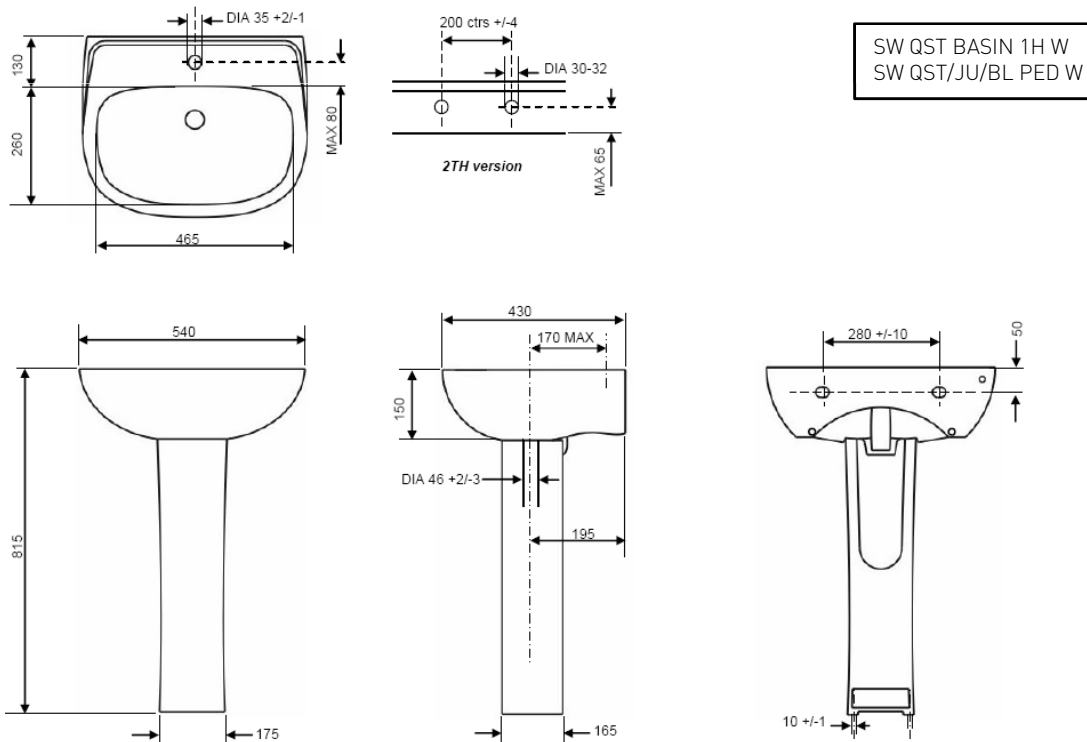


Product Code:	SW QST BASIN 1H W	1 Tap Hole Basin
	SW QST BASIN 2H W	2 Tap Hole Basin (as shown)
	SW QST CLOAK BASIN 1H W	1 Tap Hole Cloakroom Basin
	SW QST CLOAK BASIN 2H W	2 Tap Hole Cloakroom Basin
	SW QST CORNER BASIN 1H W	1 Tap Hole Corner Basin
	SW QST CORNER BASIN 2H W	2 Tap Hole Corner Basin
	SW QST/JU/BL PED W	Pedestal (as shown)
	SW QST/JU/BL SEMI PED W	Semi Pedestal

Finish: White
 Product Type: Contemporary
 Construction: Vitreous China Manufactured to comply with
 BS EN 31:999, BS 1188:1974, BS 3402:1969

Dimensions:

Note: All dimensions are shown in mm



Continued on page 2

Bristan, Birch Coppice Business Park, Dordon, Tamworth, B78 1SG
 Telephone: 0844 701 6274 Facsimile: 0844 701 6275
 Web Site: www.bristan.com Email: enquire@bristan.com



Guarantee

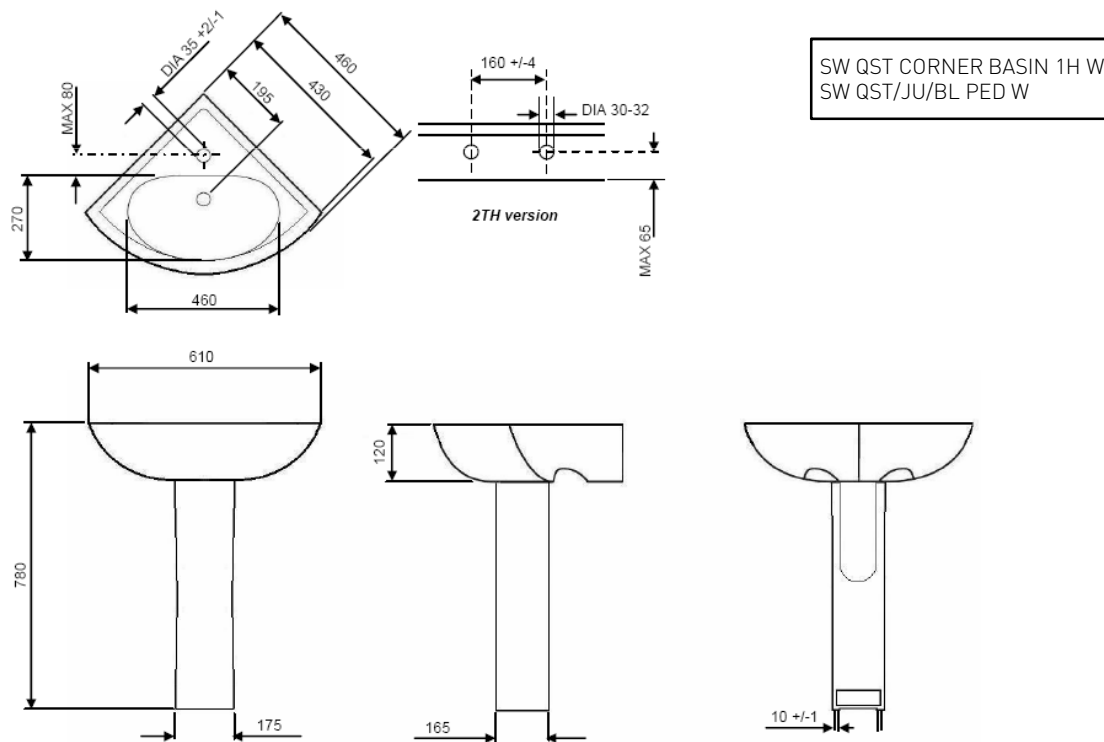
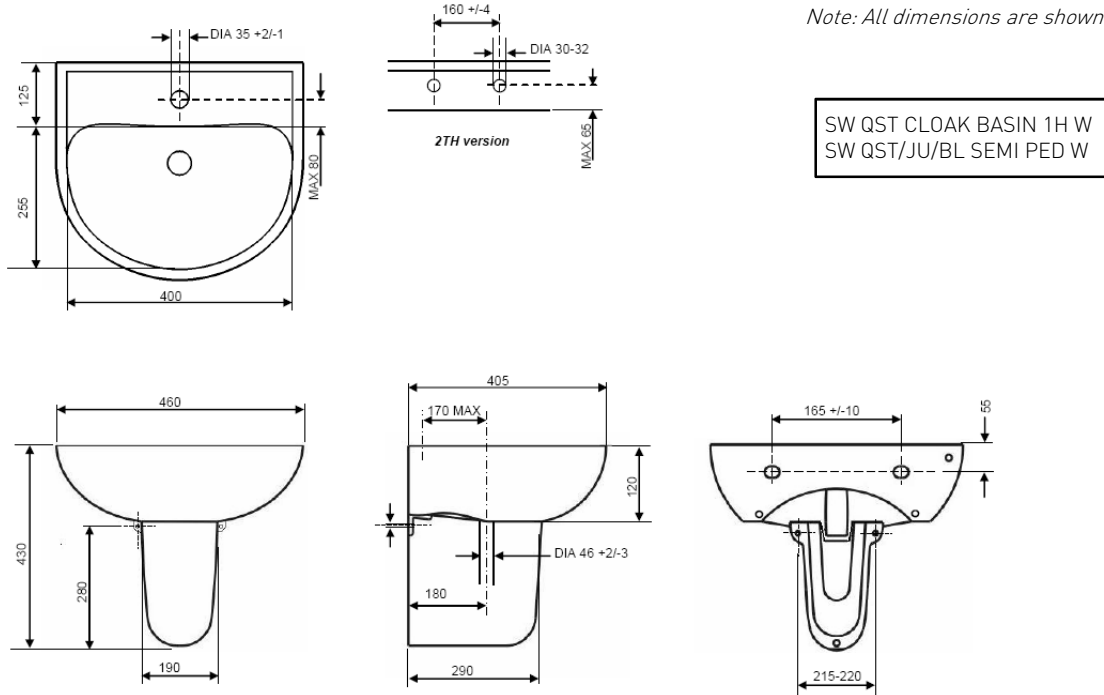
Delivery

0844 7016273

D2

The information contained on this page was correct at date of issue. Fitting dimensions are provided as a guide only. Some variation may occur due to manufacturing tolerances. Bristan pursues a policy of continuing improvement in design and performance of its products and so reserves the right to change specifications without prior notice.

Note: All dimensions are shown in mm



Additional Information

- Basins & Pedestals All Sold Separately. (Shown together for illustration purposes only)
- Semi Pedestal not suitable for SW QST CORNER BASIN 1H W and SW QST CORNER BASIN 2H W

Technical Advice: For further information please call 0844 7016273 or email customer-care@bristan.com

Guarantee: 5 years covering manufacturing faults.

Bristan, Birch Coppice Business Park, Dordon, Tamworth, B78 1SG
 Telephone: 0844 701 6274 Facsimile: 0844 701 6275
 Web Site: www.bristan.com Email: enquire@bristan.com



The information contained on this page was correct at date of issue. Fitting dimensions are provided as a guide only. Some variation may occur due to manufacturing tolerances. Bristan pursues a policy of continuing improvement in design and performance of its products and so reserves the right to change specifications without prior notice.