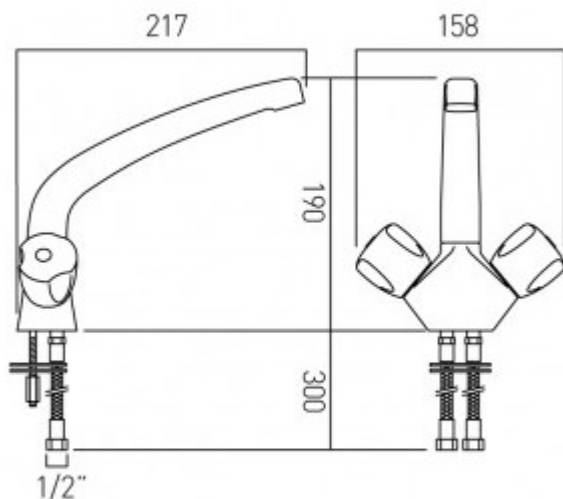




technical drawing



description:

mono sink mixer
deck mounted
with swivel spout
with water flow straightener
cold ceramic cartridge AST-VALVE/CD/CL-1/2
hot ceramic cartridge AST-VALVE/CD/HT-1/2
2 x 1/2" (nut) x 300mm flexipipe connections
deck mount drill hole diameter 33mm

finishes:

chrome

minimum operating pressure: 0.3 bar LP

Eco flow regulator: FR-FLEXI/5-PLA

guarantee:

12 year guarantee

VADO wedmore road cheddar somerset england bs27 3eb

tel 01934 744466 fax 01934 744345 sales@vado-uk.com www.vado-uk.com