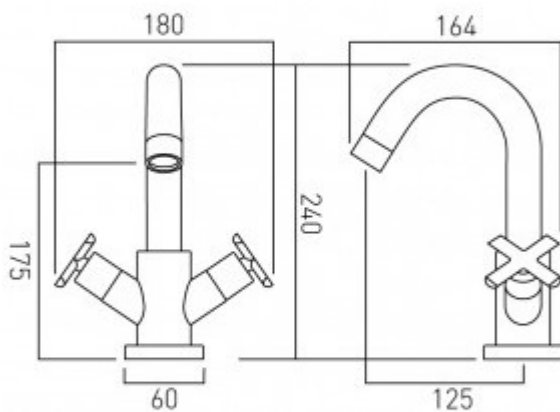




technical drawing



**description:**

mono basin mixer  
deck mounted  
spout can swivel or be fixed  
smooth bodied  
without clic-clac waste  
with water flow straightener  
with water flow aerator  
ceramic cartridge ELE-VALVE/CD-1/2 (HT & CL)  
2 x 1/2" nut x 350mm flexipipe connections  
2 x 15mm x 250mm rigid tail connections  
deck mount drill hole diameter 32mm

**finishes:**

chrome

**minimum operating pressure:** 0.2 bar LP

**Eco** flow regulator: FR-100/5-PLA

**guarantee:**

12 year guarantee

VADO wedmore road cheddar somerset england bs27 3eb

tel 01934 744466 fax 01934 744345 sales@vado-uk.com www.vado-uk.com