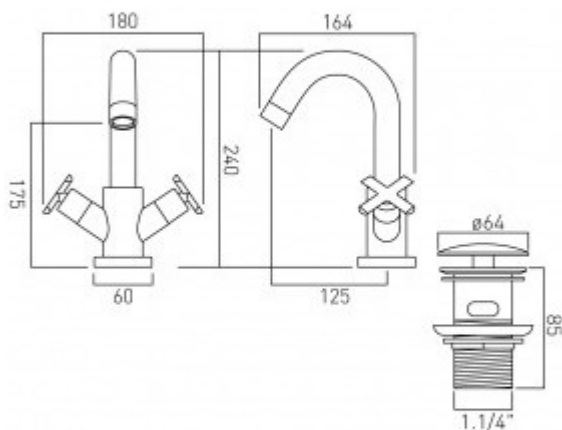




technical drawing



description:

mono basin mixer
deck mounted
smooth bodied
spout can swivel or be fixed
with clic-clac waste
with water flow straightener
with water flow aerator
ceramic cartridge ELE-VALVE/CD-1/2 (HT & CL)
2 x 1/2" nut x 350mm flexipipe connections
2 x 15mm x 250mm rigid tail connections
deck mount drill hole diameter 32mm

finishes:

chrome

minimum operating pressure: 0.2 bar LP

ECO flow regulator: FR-100/5-PLA

guarantee:

12 year guarantee

VADO wedmore road cheddar somerset england bs27 3eb

tel 01934 744466 fax 01934 744345 sales@vado-uk.com www.vado-uk.com