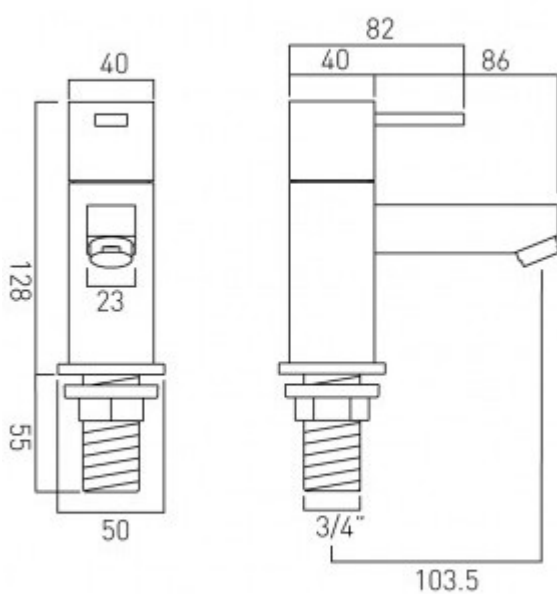




technical drawing



description:

bath pillar taps
deck mounted
with water flow straightener
with water flow aerator
ceramic cartridge TE-VALVE/CD/CL-3/4 &
TE-VALVE/CD/HT-3/4
3/4" x 55mm threaded tail connections
deck mount drill hole diameter 27mm

finishes:

chrome

minimum operating pressure: 0.2 bar LP

guarantee:

12 year guarantee

VADO wedmore road cheddar somerset england bs27 3eb

tel 01934 744466 fax 01934 744345 sales@vado-uk.com www.vado-uk.com