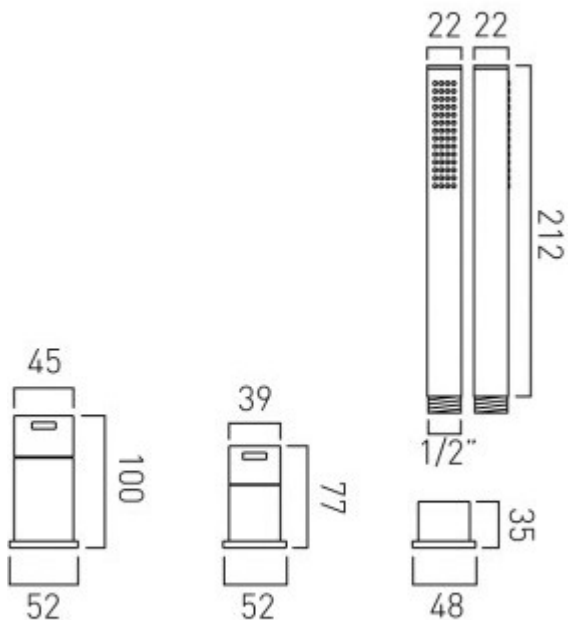




technical drawing



description:

3 hole bath shower mixer, single lever  
deck mounted, without spout  
for use with bath filler waste and overflow  
ceramic cartridge CAR-K40A  
1 x 1/2" x 3/8" x 200cm showerhose FxF  
2 x 400mm x 1/2" flexihoses to inlets on valve  
valve deck mount drill hole diameter 46mm  
diverter deck mount drill hole diameter 37mm  
handset deck mount drill hole diameter 30mm

finishes:

chrome

minimum operating pressure: 3.0 bar HP

**Eco** flow regulator: FR-SHOWER/9-C/P

guarantee:

12 year guarantee

VADO wedmore road cheddar somerset england bs27 3eb

tel 01934 744466 fax 01934 744345 sales@vado-uk.com www.vado-uk.com