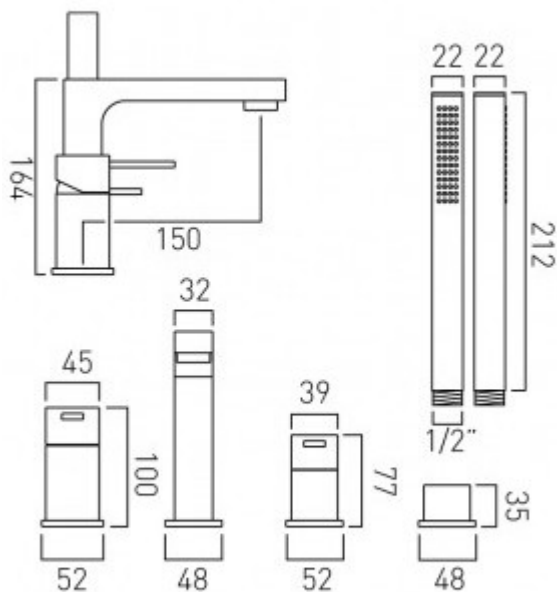




technical drawing



description:

4 hole bath shower mixer
single lever
deck mounted
with water flow straightener
ceramic cartridge CAR-K40A
1 x 1/2" x 3/8" x 200cm showerhose FxF
2 x 400mm x 1/2" flexihoses to inlets on valve
spout deck mount drill hole diameter 28-30mm
valve deck mount drill hole diameter 46mm
diverter deck mount drill hole diameter 37mm
handset deck mount drill hole diameter 30mm

finishes:

chrome

minimum operating pressure: 3.0 bar HP

Eco flow regulator: FR-SHOWER/9-C/P

guarantee:

12 year guarantee

VADO wedmore road cheddar somerset england bs27 3eb

tel 01934 744466 fax 01934 744345 sales@vado-uk.com www.vado-uk.com