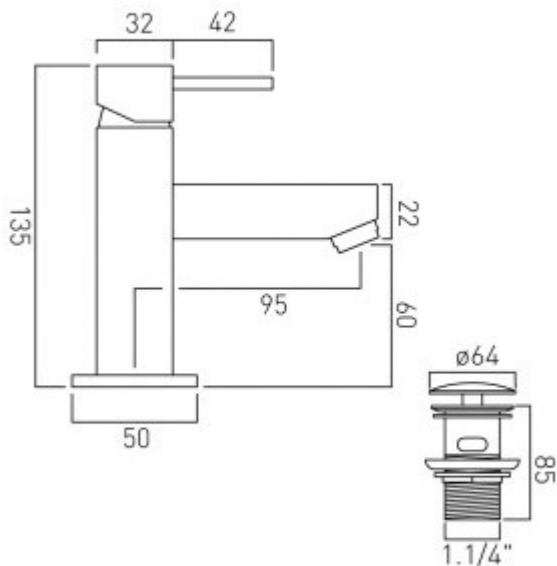




Technical sheet: TE-100M/CC-C/P



technical drawing



description:

ed
smooth bodied
with clic-clac waste
with water flow aerator
ceramic cartridge CAR-K25A/TE
2 x 1/2" x 400mm flexipipe connections
deck mount drill hole diameter 30mm

finishes:

chrome

minimum operating pressure: 0.5 bar LP

Eco flow regulator: FR-FLEXI/5-PLA

guarantee:

12 year guarantee

VADO wedmore road cheddar somerset england bs27 3eb

tel 01934 744466 fax 01934 744345 sales@vado-uk.com www.vado-uk.com