

T4 pivot door

consists of frame and outward opening glass door panel

4mm glass



to specify/order:

Please use the eight character reference shown below.

pivot door

- 900mm, LH or RH **T45100CP**
- 800mm, LH or RH **T44100CP**
- 760mm, LH or RH **T43100CP**

side panel

- Side panel 900mm **T45400CP**
- Side panel 800mm **T44400CP**
- Side panel 760mm **T43400CP**
- Side panel 700mm **T40400CP**

trays

Co-ordinating Twyford Trays available.

applications

Commercial, Domestic, Hotels and Leisure.

material

Aluminium frame, 4mm toughened safety glass.

finish/colour

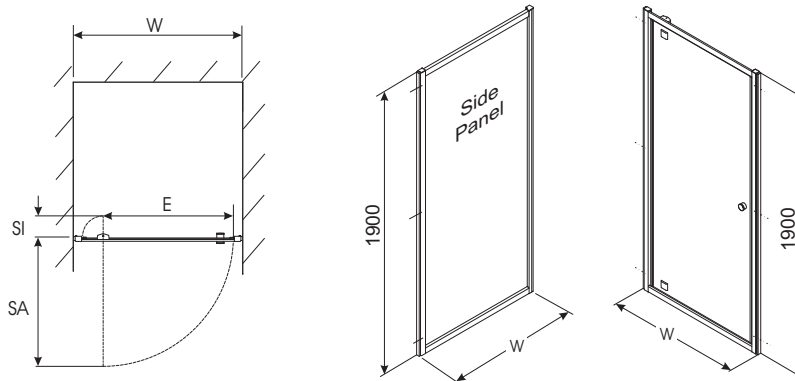
Polished silver frame, clear glass.

fixings

All fixings and instructions included.
Can be installed to open from left or right.

T4 pivot door

Product Number	Description	W - Width mm	E - Entry Width mm	SA - Swing Away mm	SI - Swing Inwards mm	Adjustment Range mm	Adjustment With Side Panel mm
T43100CP	Pivot Door 760mm	760	560	534	125	740-780	750-770
T44100CP	Pivot Door 800mm	800	600	574	125	780-820	790-810
T45100CP	Pivot Door 900mm	900	700	674	125	880-920	890-910
T40400CP	Side Panel 700mm	700	N/A	N/A	N/A	675-695	N/A
T43400CP	Side Panel 760mm	760	N/A	N/A	N/A	735-755	N/A
T44400CP	Side Panel 800mm	800	N/A	N/A	N/A	775-795	N/A
T45400CP	Side Panel 900mm	900	N/A	N/A	N/A	875-895	N/A



all measurements shown are in millimetres. drawing sizes are not to scale.

Lawton Road, Alsager, Stoke-on-Trent ST7 2DF, UK
 Tel: +44(0) 1270 879777 Fax: +44(0) 1270 873864
 www.twyfordbathrooms.com UK Technical Helpline Tel: 0870 840 0437 Fax: 0870 840 0438

