

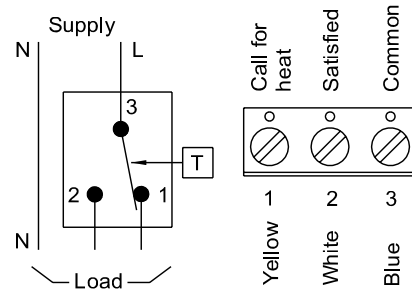
Terminals 3 and 2 make on temperature rise

Terminals 3 and 1 make on temperature fall

Disengage cover screw sufficiently to allow removal of cover.
Fit cable to connecting block, ensuring correct connections are made. Remove cable clamp and 2 screws from plastic bag and assemble to thermostat housing to secure cable.
Refit cover and tighten screw.

SETTING

Turn the control knob until the pointer aligns with the required temperature setting



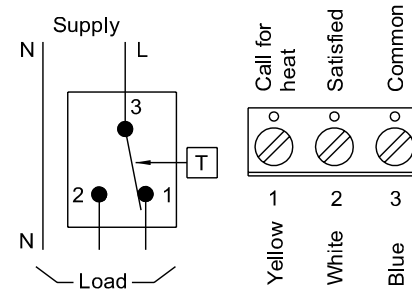
Terminals 3 and 2 make on temperature rise

Terminals 3 and 1 make on temperature fall

Disengage cover screw sufficiently to allow removal of cover.
Fit cable to connecting block, ensuring correct connections are made. Remove cable clamp and 2 screws from plastic bag and assemble to thermostat housing to secure cable.
Refit cover and tighten screw.

SETTING

Turn the control knob until the pointer aligns with the required temperature setting



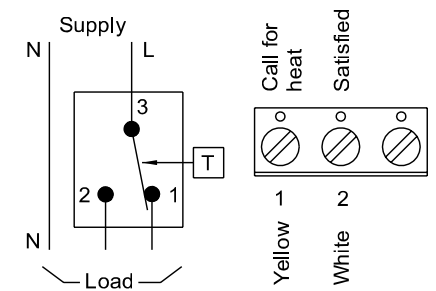
Terminals 3 and 2 make on temperature rise

Terminals 3 and 1 make on temperature fall

Disengage cover screw sufficiently to allow removal of cover.
Fit cable to connecting block, ensuring correct connections are made. Remove cable clamp and 2 screws from plastic bag and assemble to thermostat housing to secure cable.
Refit cover and tighten screw.

SETTING

Turn the control knob until the pointer aligns with the required temperature setting



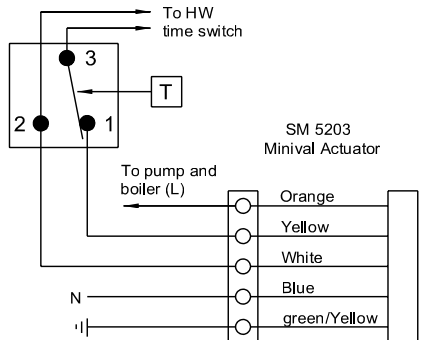
Terminals 3 and 2 make on temperature rise

Terminals 3 and 1 make on temperature fall

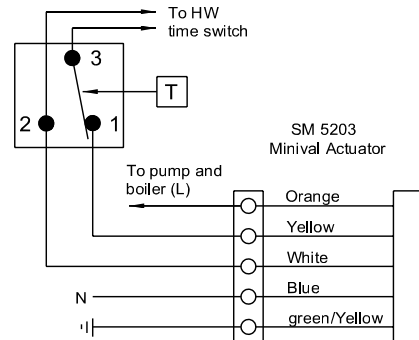
Disengage cover screw sufficiently to allow removal of cover.
Fit cable to connecting block, ensuring correct connections are made. Remove cable clamp and 2 screws from plastic bag and assemble to thermostat housing to secure cable.
Refit cover and tighten screw.

SETTING

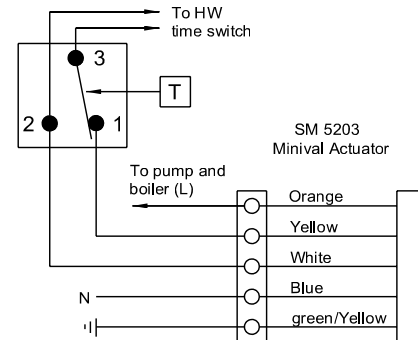
Turn the control knob until the pointer aligns with the required temperature setting



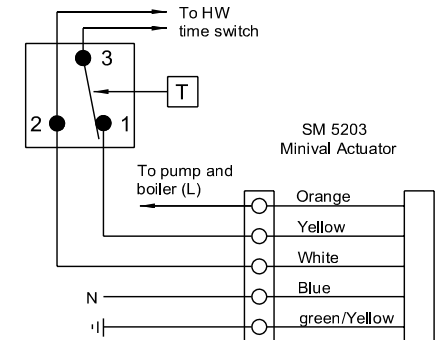
Wiring for minival motor open / close



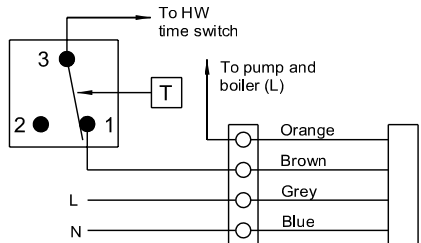
Wiring for minival motor open / close



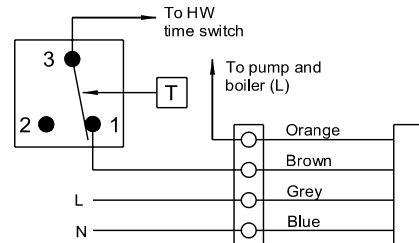
Wiring for minival motor open / close



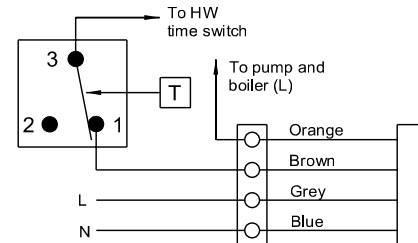
Wiring for minival motor open / close



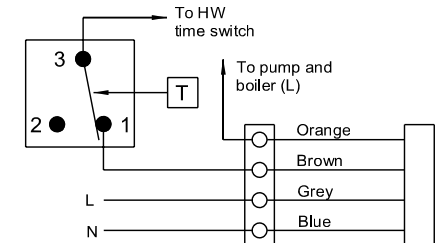
Wiring for unival motor open / spring close



Wiring for unival motor open / spring close



Wiring for unival motor open / spring close



Wiring for unival motor open / spring close

Sunvic Controls Ltd Units 1 & 2 Block 1
251 Low Waters Road Cadzow Ind. Est.
Hamilton ML3 7QU
Tel (01698) 812944 Fax (01698) 813637
Technical Helpline (01698) 810945

Sunvic Controls Ltd Units 1 & 2 Block 1
251 Low Waters Road Cadzow Ind. Est.
Hamilton ML3 7QU
Tel (01698) 812944 Fax (01698) 813637
Technical Helpline (01698) 810945

Sunvic Controls Ltd Units 1 & 2 Block 1
251 Low Waters Road Cadzow Ind. Est.
Hamilton ML3 7QU
Tel (01698) 812944 Fax (01698) 813637
Technical Helpline (01698) 810945

Sunvic Controls Ltd Units 1 & 2 Block 1
251 Low Waters Road Cadzow Ind. Est.
Hamilton ML3 7QU
Tel (01698) 812944 Fax (01698) 813637
Technical Helpline (01698) 810945