

# SUNVIC

## TLX ROOM THERMOSTATS

Spec No	TLX 2222
TLX 2251	TLX 2251/N
TLX 2259	TLX 2267
TLX 2356	TLX 2852

Thermostat Position: To be placed at a height of 1.52m(5ft) from floor.  
Do not position on an outside wall, above a radiator, next to a door, or in direct sunlight.

### For fixed wiring only

#### WARNING

This control must be earthed using the earth screw on the backplate. Disconnect mains supply before fitting unit to backplate, or removing cover. A switch having a contact separation of at least 3mm in all poles must be incorporated in the fixed wiring as a means of fully disconnecting the mains supply.

#### FIXING

1. A metal backplate is supplied for direct mounting to wall, or to a one gang conduit box. Conforming to BS4662:1970(1989). Fit directly to wall using screws and fixings, or screw directly onto conduit box.
2. Loosen screws top and bottom of thermostat, remove main cover, remove knob and swing terminal cover open.
3. Route wires through back of thermostat and offer thermostat up to backplate. Secure to backplate using the two captive screws.
4. Connect wires to thermostat in accordance with the relevant wiring diagram shown overleaf and to the current I.E.E. regulations.
5. Reposition terminal cover, replace knob and main cover. Secure by tightening the two retaining screws.
6. Remove protective film from knob and cover.
7. Before connecting to the mains supply ensure that an appropriate fuse is fitted to the circuit.

#### SETTING

1. To set the required temperature, turn the knob until the triangle on the knob disc aligns with the desired temperature on the scaleplate.

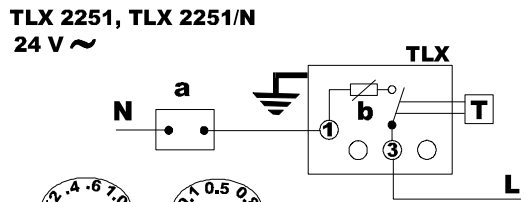
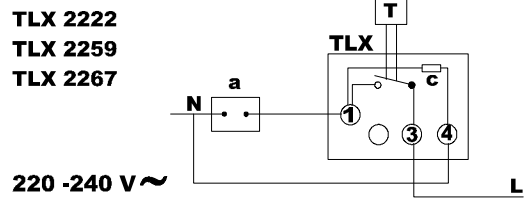
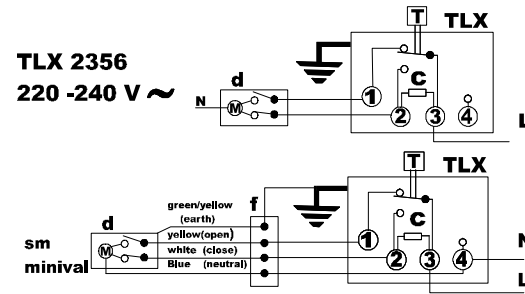
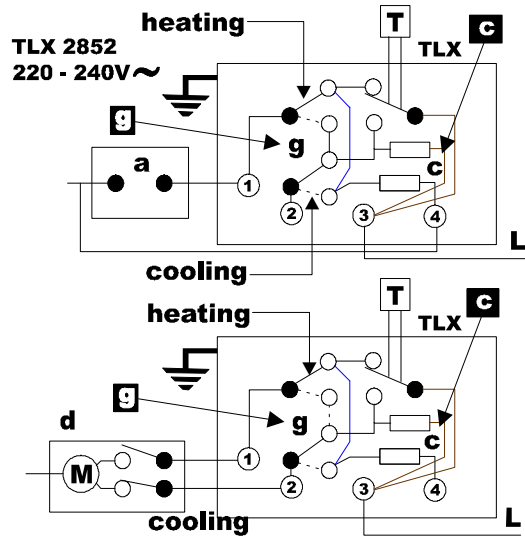
In line with a policy of continuous product development, Sunvic Controls Ltd. Reserve the right to change the specification, design and materials of products without prior notice.

#### WARNING

The cover must not be removed unless the thermostat is isolated from the electrical supply

Interference with sealed parts renders guarantee void.

Installation leaflet LE/0211/0011 Issue 0 June 98



#### Set to match load current rating

<b>a</b>	Load	<b>f</b>	Junction box
<b>b</b>	series accelerator heater	<b>g</b>	Heating-cooling switch
<b>c</b>	Shunt accelerator heater		
<b>d</b>	Motor		
<b>e</b>	Looping terminal		

# TLX 2222\_2251\_2251/N\_2259\_2356\_2267\_2852\_Diag