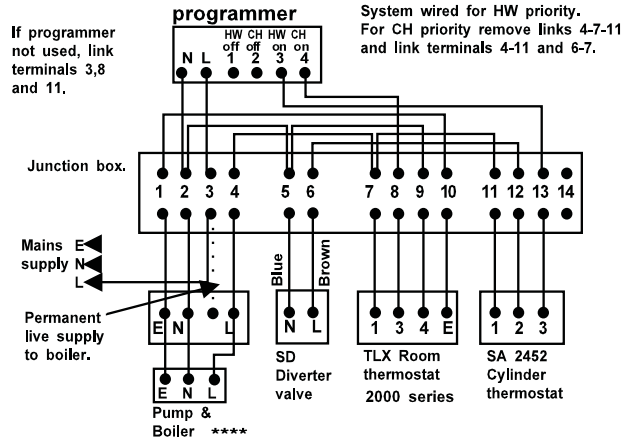


SYSTEM MUST BE INSTALLED BY A COMPETENT PERSON, AND IN ACCORDANCE WITH THE CURRENT BUILDING AND WIRING REGULATIONS

WIRING

Diverter valve and Actuator. SD 2600 Series

Electrical supply details are shown on cover label. Connections to the actuator **MUST** be made in accordance with the wiring diagram for correct operation of the system. The actuator must be protected with a **3amp** fuse.



SD

Sd Installation leaflet LE/0408/0023 CHANGE No. 3

Date: JAN 2012

Artwork back sheet Sheet 2 of 2

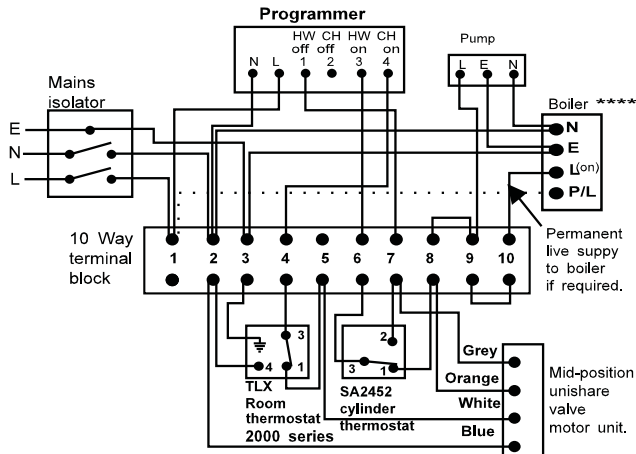
3 Off per A4 sheet double sided

See sheet 1 for front artwork.

Mid position valve and actuator SD 2700 Series.

- Live on **orange** wire (from HW cylinder thermostat)--**HW only.**
- Live on **white** wire (from room thermostat)--**HW & CH**
- Live on **orange** wire (from HW cylinder thermostat) " " "
- Live on **grey** wire (from HW cylinder thermostat)--**CH only**
- Live on **white** wire (from room thermostat)-- " "

These signals are generated when using circuit below.



**** Please refer to boiler manufacturers instructions.

sddiag.art