

## 2 PORT MOTORISED VALVES

### UNIVAL SPRING RETURN

- Spring Return Action
- Manual Lever for Filling/ Draining System
- Actuator replaceable without draining down system
- Self Cleaning Shoe Action
- Auxiliary switch for electrical control of pump and boiler ( see ordering specification )
- Available as complete valves or separate body and actuator
- Normally opened and normally closed versions available

Sunvic 2-Port Motorised Spring Return Valves offer many of the features of the 3-Port range. Designed to provide long-lasting reliability and outstanding performance, the bodies incorporate twin silicone based PTFE self-cleaning shoes which ensure both efficient shut off in the closed position and smooth yet hard wearing operation.

Unival 2-Port Valves are available in a wide range of sizes for both copper and iron pipework.

Actuators and valve bodies can be purchased separately or in sets. The Actuator is attached to the valve body by 2 removeable screws making on-site assembly easy.

The Spring Return Actuators are available with auxiliary switches for the control of boiler and pump. There is also a choice of normally opened or normally closed versions.

The Actuators are wired with 900mm of cable with "industry standard" colour coded wire.



#### 2 - Port Spring Return Motorised Valves

Valve size and connection details	Complete Valve and Actuator order code	Actuator only order code	Valve Body only order code
15mm ( external compression )	SZV 2286	SZ 2301	ML3402
22mm ( external compression )	SZV 2212	SZ 2301	EML 3454
28mm ( external compression )	SZV 2228	SZ 2301	EML 3503
1/2" BSP ( female )	SZV 2288	SZ2301	ML 3401
3/4" BSP ( female )	SZV 2289	SZ2301	ML 3451
1" BSP ( female )	SZV 2218	SZ2301	ML 3501

#### 2 - Port Spring Return Actuators

Actuator Order Code	Valve Position when De-energised	Aux switch	No of Wires
SZ 2201	Normally closed	None	2
SZ 2251	Normally open	None	2
SZ 2301	Normally closed	SPST, N.O.	4
SZ 2302 *	Normally closed	SPDT	4
SZ 2351	Normally open	SPST, N.O.	4
SZ 2355	Normally open	SPDT	5

SZ Actuators can be used with any ML / EML Valve body  
 \* SZ 2302 for use with Gravity HW Systems

SZ2351  
 SZV 254A

## 3 PORT MOTORISED VALVES



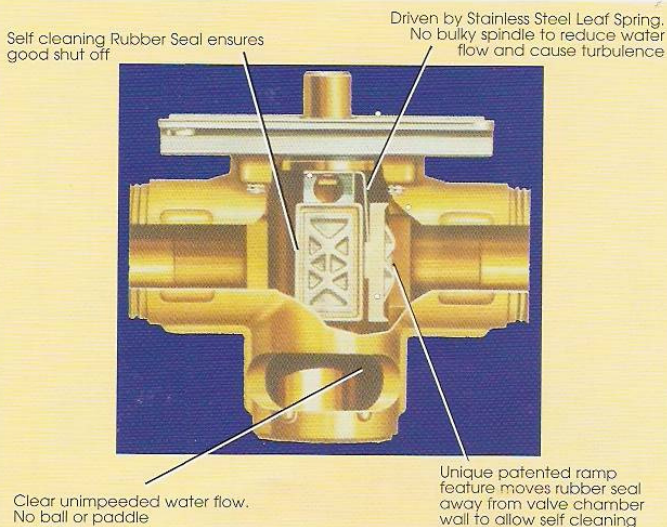
### 3 PORT MOTORISED VALVE

Valve size and connection detail	Valve Type	Complete Valves & Actuator Order Code	Actuator only order code	Valve Body only order code
22mm ( Ext comp )	Mid Position	SDV 2211	SD 2701	EDT 2702
22mm ( Ext comp )	Diverter	SDV 2291	SD 2601	EDT 2702
28mm ( Ext comp )	Mid Position	SDV 2294	SD 2701	EDT 2706
28mm ( Ext comp )	Diverter	SDV 2295	SD 2601	EDT 2706
1" BSP ( female )	Mid Position	SDV 2296	SD 2701	DT 2606
1" BSP ( female )	Diverter	SDV 2297	SD 2601	DT 2606

### UNISHARE 3-PORT MOTORISED VALVE ACTUATORS

Description	Order code	No of wires
Mid Position Valve Actuator	SD 2701	4
Diverter Valve Actuator	SD 2601	2

### ADVANCED 'SLIPSEAL' TECHNOLOGY



### UNISHARE SPRING RETURN MID POSITION VALVES

- Spring Return Action
- Actuators for mid-position or diverter applications
- Manual lever for filling / draining system
- Actuator replaceable without draining down system
- Revolutionary 'Slipseal'

The Unishare Valve is designed for installations employing a common pump to serve both heating and domestic hot water requirements. The 3-Port Spring Return Valve automatically switches the flow from the boiler to either Central Heating or Hot Water or both as required.

When both Central Heating and Domestic Hot Water requirements are satisfied, the boiler and circulating pump are switched off.

An example of a typical system layout incorporating the Unishare Valve is shown on Page 16 of this catalogue.

The Unishare valve is constructed from high quality brass and incorporates advanced 'slipseal' technology - a revolutionary patented design which provides improved reliability and performance over longer life.

The 'Slipseal' mechanism consists of two polymer slipseals under the control of a stainless steel leaf spring, providing a unique pull and rotate action that ensures debris is automatically cleared from the valve chamber whilst maintaining 100% tight seal. Not only this, it achieves greater resilience to adverse operating conditions, significant improvements in flow rates as well as reduced pressure losses and turbulence.