

INSTALLATION INSTRUCTIONS

For qualified persons only, not to be left with user

The SZMV Series are motor open/motor close valves designed for maximum reliability. They are direct replacements for most common 2-port spring return valves. These valves have been designed to overcome the reliability problems associated with synchronous motor failure on standard spring return units and brings new levels of reliability and durability to motorised valves.

INSTALLATION

1) Select a location which is reasonably clean and has adequate access for fitting and wiring actuator. Minimum clearance from wall to centre of valve body is 45mm (1.3/4"). Maximum temperature of water 93°C. Minimum temperature 2 °C. Ambient temperature must not exceed 52 °C. Actuator must not be mounted underneath valve body.

2) Install valve as follows:

- a) Remove all protective materials from valve.
- b) Remove all foreign matter.
- c) Fit valve to pipe-work using the minimum quantity of jointing materials. Make sure valve body is only gripped by the ribbed ends when installing.
- d) Do not cover valve with thermal insulation.
- e) Do not interrupt earth continuity.

3) Flushing of system:

If the actuator unit is not fitted to the valve, the valve should be turned to the open position.

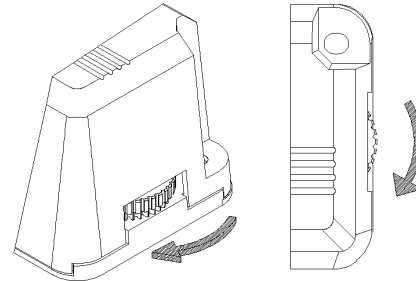
If the actuator is fitted, rotate the Red Manual Thumbwheel on the side of the actuator until the flat is flush with the side. This corresponds to the open position. The power must be off when this is done. The actuator will return to the correct position when power is re-applied.

The complete system should then be flushed out and drained to remove any foreign matter in the water.

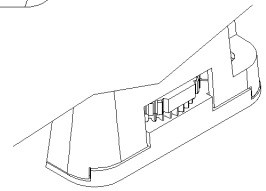
The system can now be filled with water and corrosion inhibitor added if required.

4) Fit actuator to valve as follows:

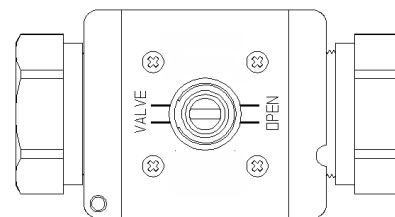
A) Rotate the Red Thumbwheel



Until the flat is flush with the side of the cover. The Actuator is now in the OPEN position.



B) Rotate the valve spindle to the OPEN position as indicated on the valve plate



C) Fit the actuator to the valve ensuring the drive spindle on the valve engages with the slot in the red plastic coupling on the motor.

D) Secure the motor to the valve with the two screws provided.
(If fitting to an existing valve, retain and use the existing screws.)

CAUTION: DO NOT OVERTIGHTEN

SUNVIC CONTROLS LTD

UNITS 1&2, BLOCK 1,
251 LOW WATERS ROAD,
HAMILTON ML3 7QU

TELEPHONE: 01698 812944 FAX: 01698 813637
TECHNICAL HELPLINE: 01689 810945
www.sunvic.co.uk Email: sales@sunvic.co.uk

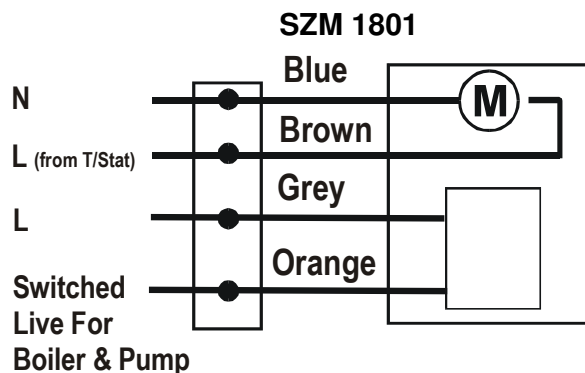
In line with a policy of continuous product development, Sunvic Controls Ltd. Reserve the right to change the specification, design and materials of products without prior notice.

Installation leaflet: LE/0891/0003 Issue 8 August 2011

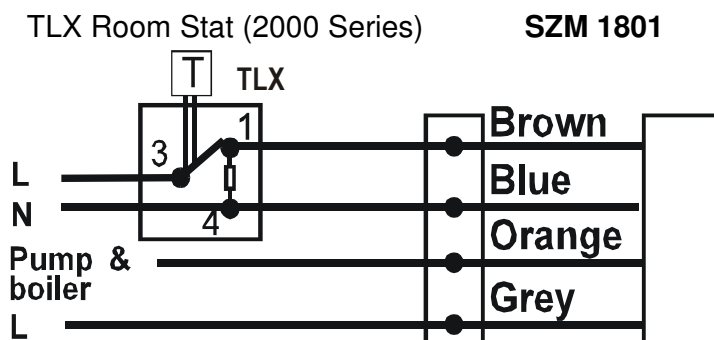
Electrical wiring for the SZM1801 is as follows:

Electrical supply details are shown on the cover label of the SZM 1801 actuator. Connections to the actuators must be made in accordance with the wiring diagram for the correct operation of the system. Class 'A' disconnection providing electrical isolation for all live parts behind the disconnection, must be incorporated in the fixed wiring. The actuator must be protected with a **3amp fuse**.

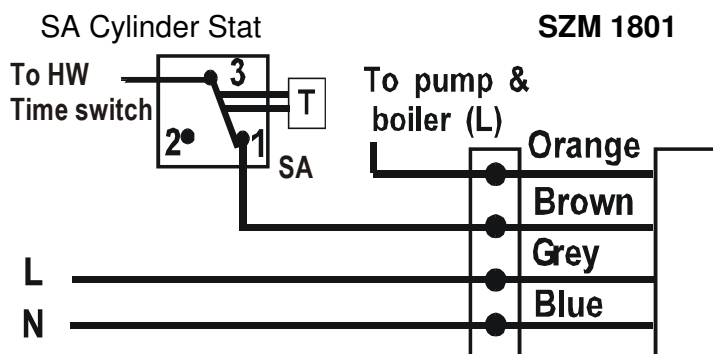
THE GREY WIRE MUST ALWAYS BE CONNECTED TO A 230 / 240V AC PERMANENT LIVE. THIS CONNECTION IS NECESSARY TO CLOSE THE VALVE



Wiring for SZM 1801 and TLX Room Thermostats:



Wiring for SZMV 1801 and SA Cylinder Thermostat:



For other Sunvic Room Thermostats please refer to the instructions supplied with the thermostat

Warning

Interference with sealed parts renders guarantee void.
Valves are not suitable for use on mains water supply.
It is recommended that valves and actuators be checked during regular annual heating maintenance.

This product complies with the essential requirements of the following EC directives:
Electro-magnetic compatibility directive EMC89/336/EEC
(as amended by 91/263/EEC and 92/31EEC)
Low voltage directive LVD 73/23/EEC; 93/68/EEC