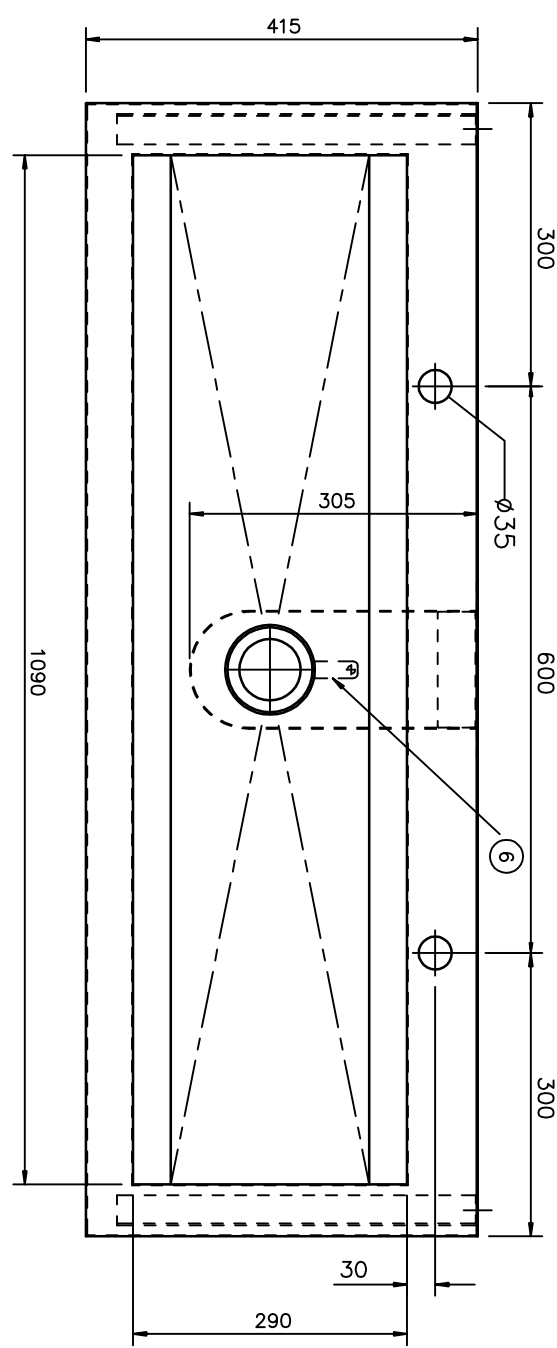
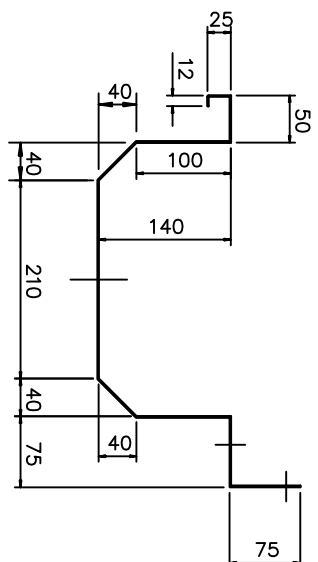
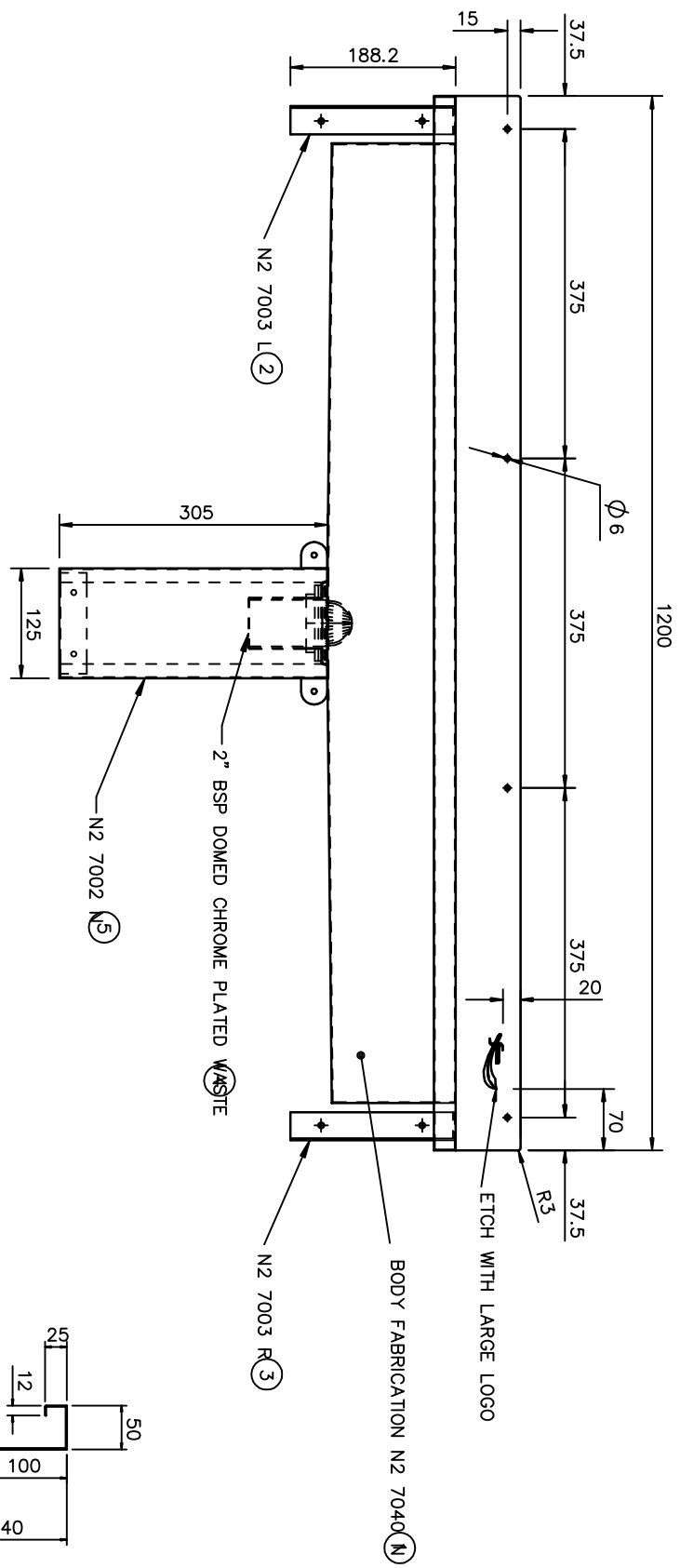


| ITEM CODE | N       | DESCRIPTION              | QTY   |
|-----------|---------|--------------------------|-------|
| 01        | N2 7040 | NWASH TROUGH ASSY - 1200 | 1-OFF |
| 02        | N2 7003 | SUPPORT BRKT - LH        | 1-OFF |
| 03        | N2 7003 | SUPPORT BRKT - RH        | 1-OFF |
| 04        | F-2-074 | 2" BSP DOMED C/P WASTE   | 1-OFF |
| 05        | N2 7002 | NWASTE COVER             | 1-OFF |
| 06        | A2 6017 | NEARTH LUG               | 1-OFF |
| B-1-620   |         | FIXING INSTRUCTIONS      | 1-OFF |
| B-1-007   |         | CARE AND MAINTENANCE     | 1-OFF |
| B-1-174   |         | WASH YOUR HANDS LABEL    | 1-OFF |



**SPECIFICATION**  
**MATERIAL-**  
 GRADE 304 STAINLESS STEEL TO BS 1449 PT2 1983  
 GRADE EN 1.4301 STAINLESS STEEL TO EN STANDARD 10088 -2  
 TROUGH - 1.2mm THK  
 BRACKETS - 2mm THK  
 REMOVE ALL BURRS AND SHARP EDGES

**WORK TO DIMENSIONS**  
 ALL DIMS IN MM  
 DO NOT SCALE  
 IF IN DOUBT ASK  
 UNTOLERANCED DIMS SURFACE FINISH  
 TO BE WITHIN -  
 +0/-3

| REVISED NO. | DESCRIPTION    | DATE | SIGNED |
|-------------|----------------|------|--------|
| 1           | AS PER DRAWING |      |        |
| 2           | AS PER DRAWING |      |        |
| 3           | AS PER DRAWING |      |        |
| 4           | AS PER DRAWING |      |        |

WOLSELEY CATALOGUE  
 PRODUCT NO. 673821

DATE OF ISSUE: - - -  
 No OF COPIES ISSUED: - -  
 ISSUED TO: - -

THIS PRINT MUST NOT BE COPIED  
 FURTHER PRINTS AVAILABLE ONLY  
 FROM THE DRAWING OFFICE

MERIDIAN NO. 0093-108918

TITLE  
 WOLSELEY CENTERS SARACEN  
 1200 LONG WASH TROUGH

REFERENCE DRAWINGS  
 V/4211

DATE: 23/09/03  
 DRAWING NO: N2 0036 N  
 SCALE: A2 - 1:4

W. & G. Sissons Ltd.  
 Carrwood Road  
 Shepherds  
 Chesterfield  
 England  
 S41 9QB

W. & G. Sissons Ltd.  
 e-mail: wgs@sissons.co.uk  
 www.sissons.co.uk  
 Tel 01246 450235  
 Fax 01246 451276