

Saracen Group Shower Mixer

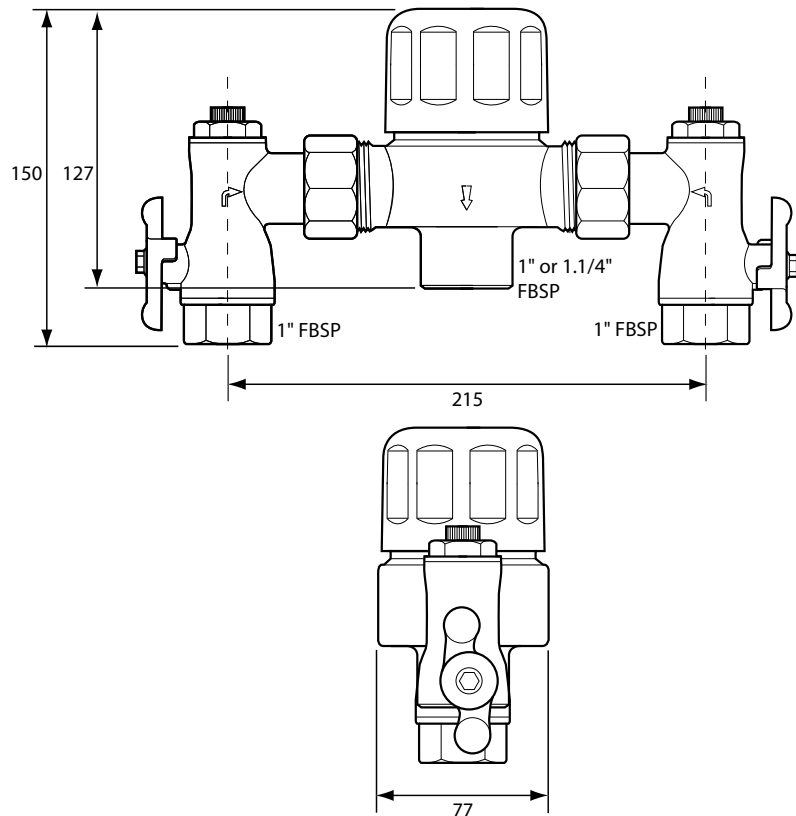
Thermostatic mixing valve for use in group mixing applications. Primarily used for multiple outlet shower or basin installations where stable outlet temperatures at varying flow rates are important.

Product Specification

Product Code:	1" - C84911
	1 1/4" - C84912
Factory Set Temperature:	40°C
Outlet Temperature Range:	38-60°C
Hot Supply Temperature Range:	55-85°C
Cold Supply Temperature:	5-25°C
Temperature Stability (nominal):	+/-3°C
Minimum Temperature Differential:	15°C
Maximum Supply Pressure:	10 Bar
Minimum Supply Pressure:	0.5 Bar
Maximum Pressure Differential:	2:1
Maximum Flow Rate:	1" - 145 LPM
	1 1/4" - 160 LPM
Minimum Flow Rate:	1" - 15 LPM
	1 1/4" - 20 LPM



Dimensions



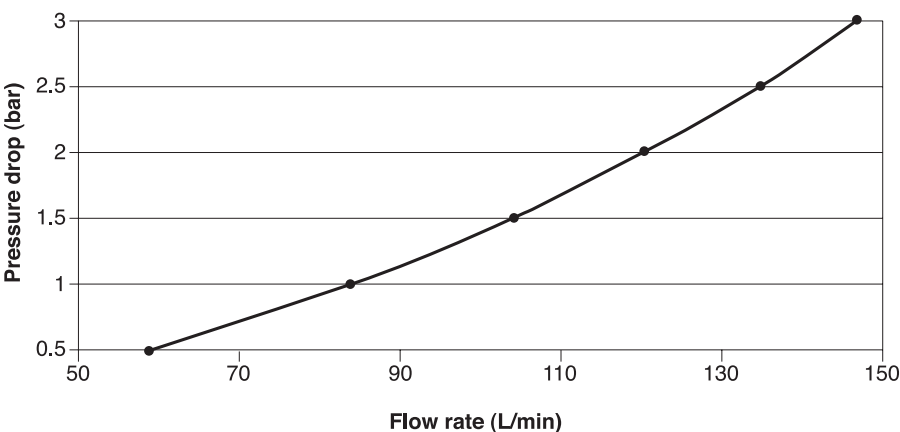
All dimensions in mm unless otherwise stated

Additional Information

- Extremely stable mixed water temperature under various supply conditions.
- Adjustable or lockable temperature control gives complete flexibility to the installer.
- High flow rates suitable for feeding 1 to 10 showers or taps.
- 1" or 1 1/4" Female BSP connections to suit all types of pipework.
- 4in1 service fittings provide isolation, filtration, cross-flow prevention and a gauge port for testing in a single compact unit.



Flow Rates



Wolseley UK
 Warwickshire, CV31 3HH
 For further information please
 call 0844 811 7658
 or visit www.wolseley.co.uk