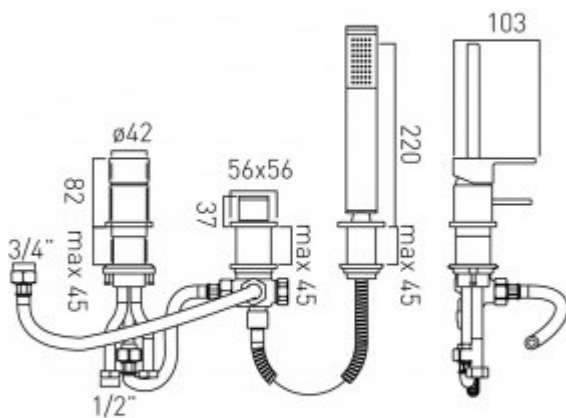




technical drawing



description:

3 hole bath shower mixer
single lever
deck mounted
without spout
with shower kit
for use with bath filler waste and overflow
ceramic cartridge SYN-CART/B

finishes:

chrome

minimum operating pressure: 3.0 bar HP

Eco flow regulator: FR-SHOWER/9-C/P

guarantee:

12 year guarantee

VADO wedmore road cheddar somerset england bs27 3eb

tel 01934 744466 fax 01934 744345 sales@vado-uk.com www.vado-uk.com