

## customer/technical services

For any technical or installation queries please contact Vado on 01934 745163.

## guarantee

This product is guaranteed against manufacturing defects from the date of purchase until the expiry of the relevant guarantee period shown below.

### The guarantee is only valid if:-

1. The product has been installed, used and maintained in accordance with Vado's instructions and subjected to normal use only.
2. The defect is not due to use of an unsuitable or inadequate water or power supply.
3. The defect is not due to accident, misuse, neglect or repair other than by Vado or Vado authorised agents or damage caused by foreign objects or substances.
4. We have received from you the completed Guarantee Registration Form. Vado accepts no responsibility for any forms lost in the post and returns by registered means is therefore recommended.

Under this guarantee (which is non-transferable) Vado will, at its option, repair or replace free of charge any product (or replacement part) found to be defective. The guarantee does not extend to any consequential loss or damage. After repair or replacement the relevant guarantee period will be calculated from the original date of purchase.

### The relevant guarantee periods are:-

1. Twelve years on chrome finish products.
2. Three years on all other products with the exception of Stuart Turner Pumps which carry a 2 year Guarantee on Monsoon Range and 1 Year Guarantee on Showermate Range.

All claims under the guarantee must be submitted in writing to the person who supplied the product to you and must be received no later than the last day of the relevant guarantee period. All claims must be accompanied by proof of purchase (sales receipt or delivery note).

Vado operates a policy of continuous product development and therefore reserves the right to change the product, packaging and documentation specifications without notice.

This guarantee is in addition to and does not affect your statutory rights as a consumer.

### Vado

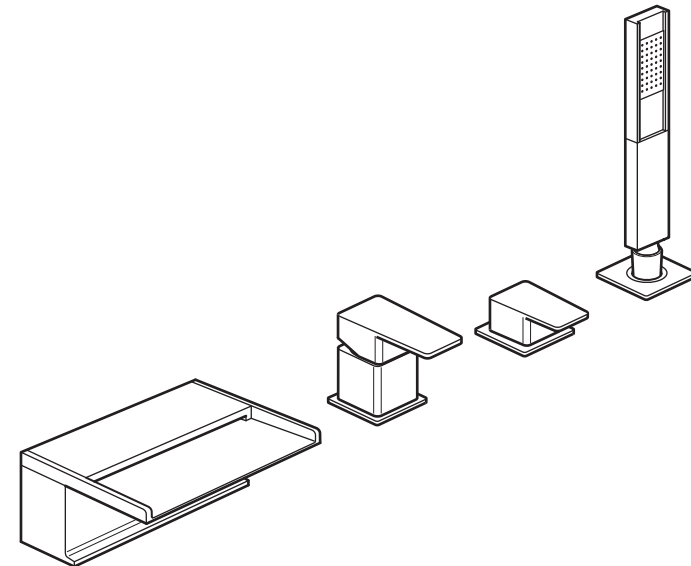
Wedmore Road, Cheddar, Somerset, England BS27 3EB  
tel 01934 744466. fax 01934 744345  
technical@vado-uk.com  
www.vado-uk.com

### GUARANTEE REGISTRATION

NAME				
ADDRESS				
	POSTCODE			
RETAILER				
ADDRESS				
	POSTCODE			
PURCHASE DATE	ARTICLE NUMBER	(SEE BOX)		
PRODUCT DESCRIPTION				
WHO INSTALLED THE PRODUCT?	RETAILER	PLUMBER	BUILDER	SELF
FOR VADO USE				



## installation & maintenance instructions



# synergie

3 and 4 hole single lever bath shower mixer

**please leave these instructions with the customer**

## important - please read

Please read these instructions carefully before starting installation and keep for future reference.

Remove all packaging and check the product for missing parts or damage before starting installation.

Any alterations made to this product and fittings may infringe water regulations and will invalidate the guarantee.

The installation must comply with all Local/National Water Supply Authority Regulations/Byelaws and Building and Plumbing (UK:BS6700) Regulations.

We strongly recommend that you use a qualified and registered plumber.

## general installation

These fittings are mixing devices and therefore water supplies must be reasonably balanced.

Where connections are made to the mains cold water supply, WRC approved single check valves must be fitted to both hot and cold inlets. This is a stated requirement of Water Supply (Water Fittings) Regulations 1999 Schedule 2, Section 6 G15.13.2

Before making any inlet pipe connections, all supply pipes MUST be thoroughly flushed to remove debris. Failure to do so could result in damage or low flow from the mixer unit. Water Supply (Water Fittings) Regulations 1999 Schedule 2 Section 4 G13.1

The fitting of isolating valves to the inlet feeds is advised for ease of maintenance.

Please take great care when installing this mixer not to damage its surface.

Please note if installing in an enclosed environment, access should be left for servicing and maintenance. No costs relating to inadequate access can be accepted.

## care of the taps

Our products are finished to the highest standard and due care needs to be taken to ensure their looks are retained.

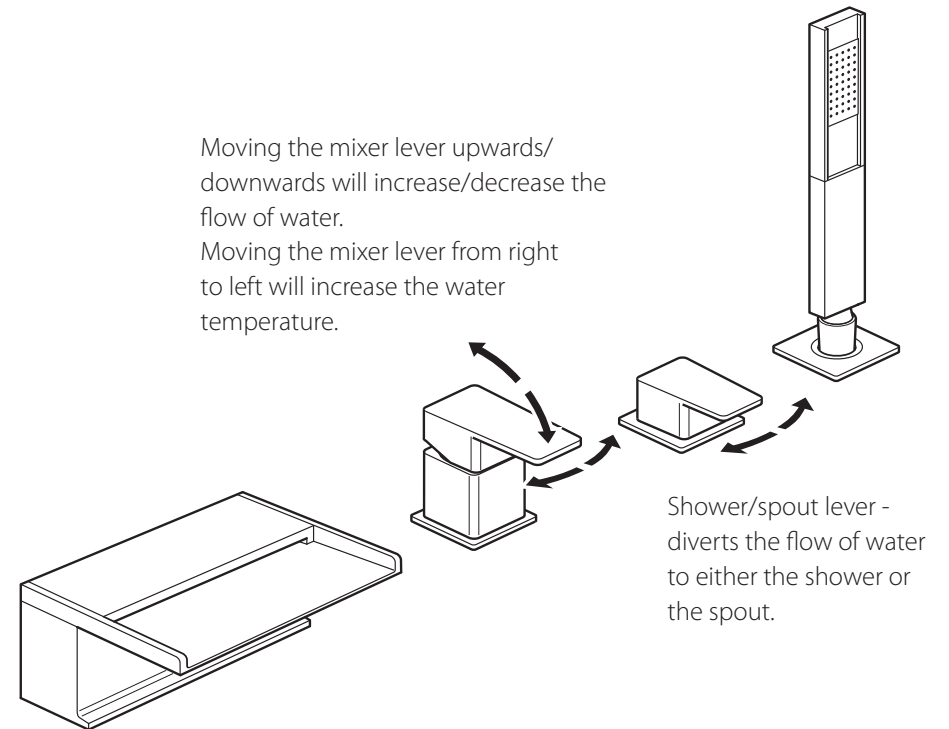
We recommend cleaning all products with a soft damp cloth ONLY and advise strongly against the use of ALL cleaning products i.e. powders and liquids.

If the above instructions are not followed this will invalidate your guarantee in the event of a problem occurring.

## operation

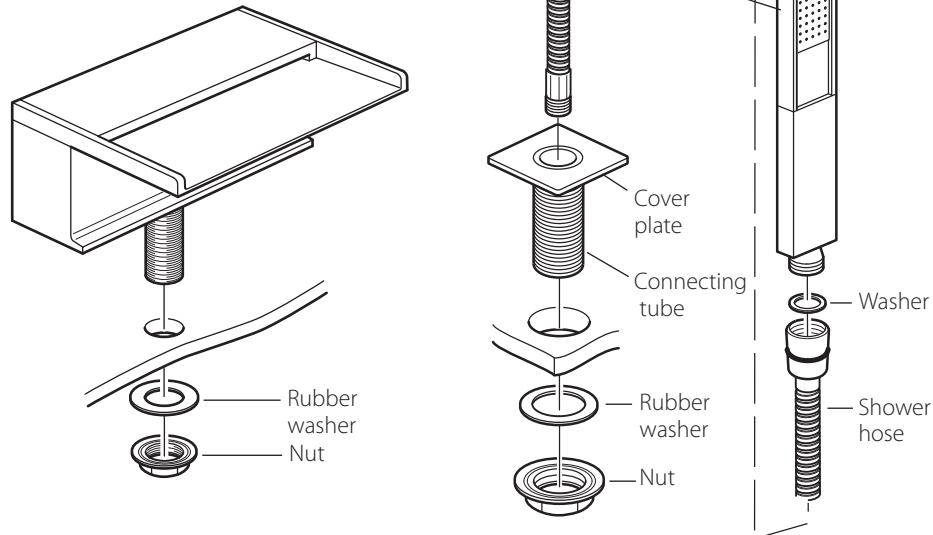
Moving the mixer lever upwards/downwards will increase/decrease the flow of water.

Moving the mixer lever from right to left will increase the water temperature.



## installation - spout (optional) and shower

If you are installing the Synergie 132ns (without spout) please ignore this section.



Position the spout in place, and from the underside slide on the rubber washer and nut. Tighten the nut to clamp on the spout.

**CAUTION:** Do not over tighten the nut.

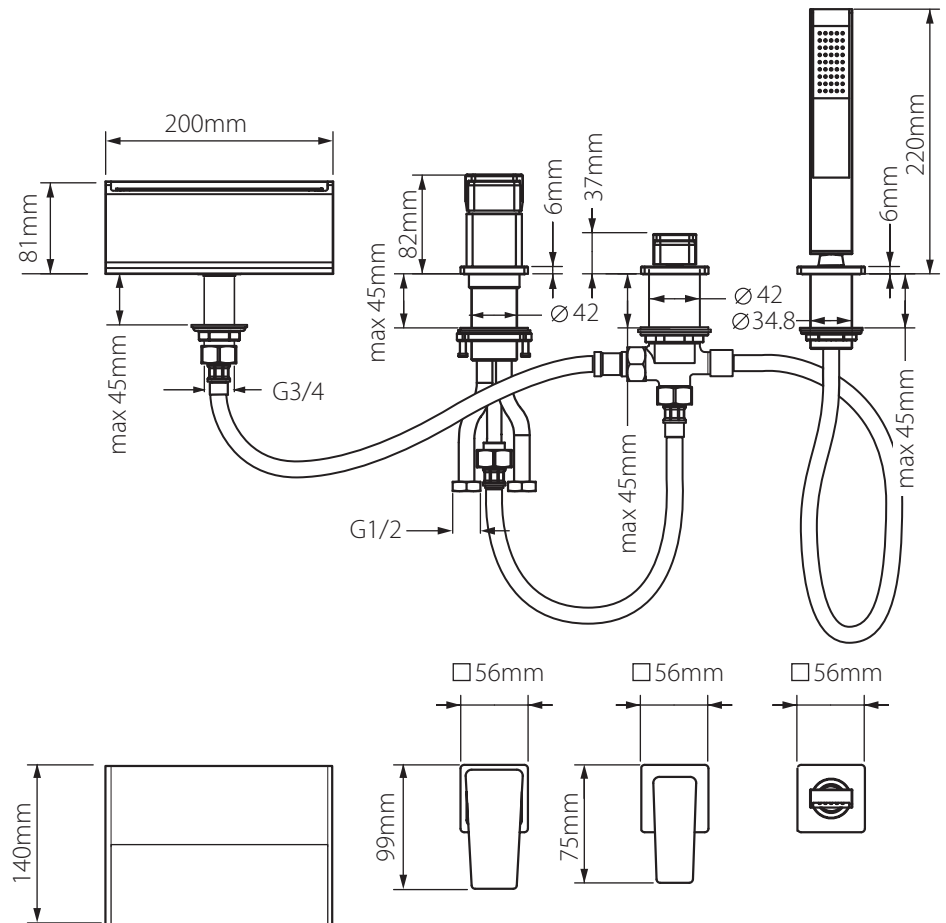
Connect the spout to the diverter using the large flexible pipe.

Position the Cover plate/connecting tube in place and from the underside slide on the rubber washer and nut. Tighten the nut to clamp on the cover plate.

**CAUTION:** Do not over tighten the nut.

Place the rubber washer into the cone end of the hose and screw to the handset, thread the other end of the shower hose down through the cover plate and screw onto the bottom of the diverter.

## dimensions



## Operating Specifications

Operating Pressure:

Minimum operating pressure 3 bar

Maximum operating pressure 5 bar

## installation - tap

Before installing your new mixer, flush through the pipework to ensure removal of debris, turn off the water supply.

Remove one of the flexible pipes by unscrewing, slide off the locking ring metal washer and rubber washer.

Push the valve down through the hole in the unit, slide the rubber washer, metal washer and locking ring back over the flexible pipe and outlet pipe, screw onto the valve until the locking bolts touch the metal washer.

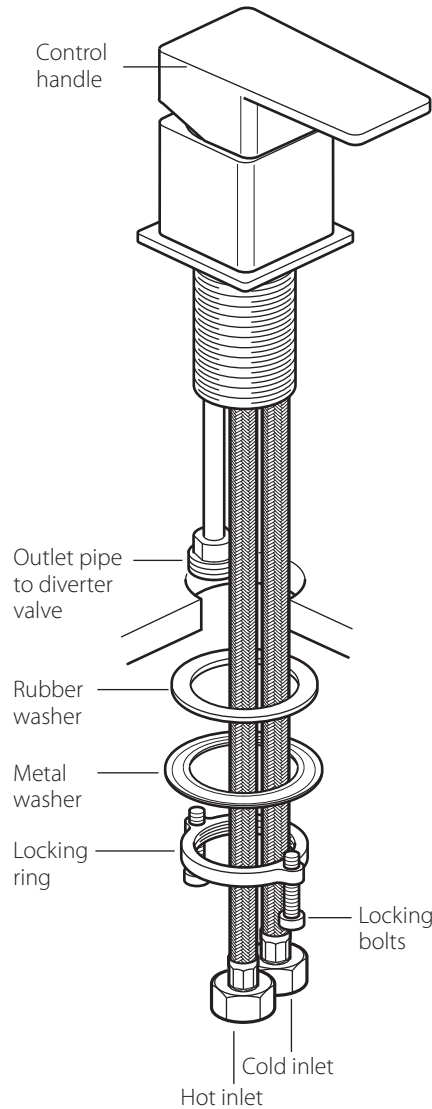
Tighten the locking nut to clamp the mixer to the unit using the 2 locking bolts.

**CAUTION:** Do not over tighten the bolts as this may damage the unit.

Replace the flexible pipe, hand tighten only.

Connect the water supply to the inlet pipes. The hot water should be connected to the left pipe and the cold to the right.

Connect the back outlet pipe to the diverter using a flexible pipe.



## installation - diverter valve

Push the valve up through the hole in the unit.

Carefully push the control handle/cover onto the splines within the valve, screw on the cover.

From the underside tighten the nut to secure the valve in place.

**CAUTION:** Do not over tighten the nut as this might damage the unit.

Connect the flexible hose coming from the tap to the bottom inlet ensure that the washer is fitted in the nut.

Connect a flexible hose to the threaded outlet ensure that the washer is fitted in the nut (this will be connected to the spout when fitted).

The other outlet is fitted to the shower hose after the shower assembly has been fitted.

