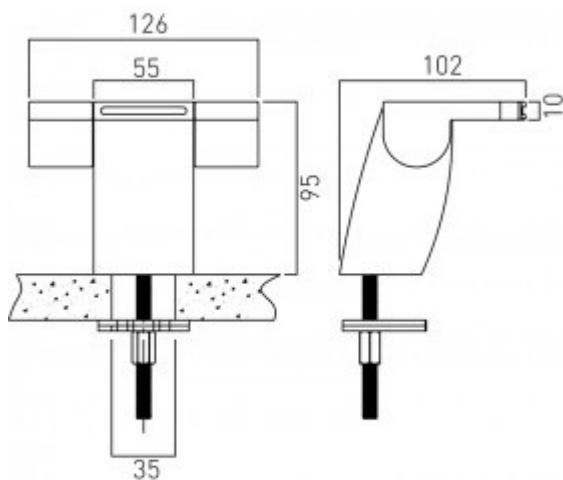




technical drawing



**description:**

mono basin mixer  
deck mounted  
smooth bodied  
without clic-clac waste  
1/4 turn ceramic disc valves  
cold ceramic cartridge SUM-100/VALVE-CL  
hot ceramic cartridge SUM-100/VALVE-HT  
2 x 1/2" x 400mm flexipipe connections  
deck mount drill hole diameter 35mm

**finishes:**

chrome

**minimum operating pressure:** 0.2 bar LP

**ECO** flow regulator: flow regulator fitted as standard

**guarantee:**

12 year guarantee

VADO wedmore road cheddar somerset england bs27 3eb

tel 01934 744466 fax 01934 744345 sales@vado-uk.com www.vado-uk.com