

TECHNICAL DATASHEET

COMMERCIAL STRATUS THERMOSTATIC DUAL CONTROL EXPOSED SHOWER VALVE WITH CHROME LEVERS

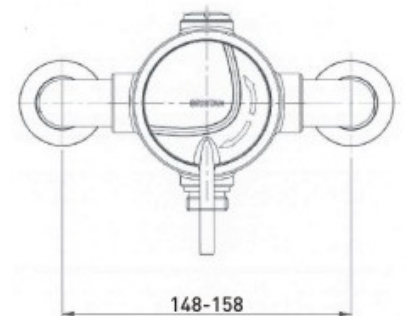
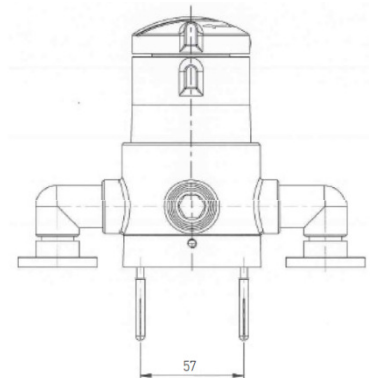
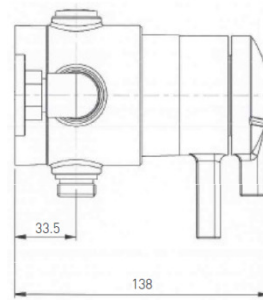
Product Specification

Product Code:	STR TS1875 EDC C
Finish:	Chrome
Product Type:	Commercial
Construction:	Body is of brass construction and is designed to conform to BS EN 1111:1999 (HP) & BS EN 1287:1999 (LP)
Valve Type:	Thermostatic Cartridge
Supply:	Suitable for all plumbing systems (Preferably balanced)
Inlet Connections:	15mm compression elbows
Outlet Connections:	½" BSP
Working Pressures:	Min 0.2bar, Max 8.0bar Maximum Static Pressure: 10.0 bar
Dimensions for Fitting:	148-158mm inlet centres



Additional Information

- Separate control for temperature & flow.
- Anti-vandal stainless steel concealing plate
- Automatic thermostatic shut-off in the event of hot or cold water failure.
- Check valves and serviceable filters as standard
- Supplied as 'valve only' and thus can be customised by choosing accessories from our Pick 'N' Mix showering options. Please see our Product and Price guide for details.
- Adjustable inlet centres between 148-158mm.
- Chrome plated to BS EN 248.



Technical Advice:	For further information please call 0844 7016273 or email customer@bristan.com
Guarantee:	1 year covering manufacturing faults.

Compliance / Approvals

WRAS:	Certificate N°: 0707014
TMV3:	Certificate N°: BC213/1107

Flow Rates (litres per minute)

System Pressure	0.2bar	0.6bar	1bar	2bar	3bar	4bar	5bar
Open Outlet	12.0	22.0	29.0	42.0	52.0	60.0	66.0

Bristan, Birch Coppice Business Park, Dordon, Tamworth, B78 1SG
 Telephone: 0844 701 6274 Facsimile: 0844 701 6275
 Web Site: www.bristan.com Email: enquire@bristan.com



The information contained on this page was correct at date of issue. Fitting dimensions are provided as a guide only. Some variation may occur due to manufacturing tolerances. Bristan pursues a policy of continuing improvement in design and performance of its products and so reserves the right to change specifications without prior notice.