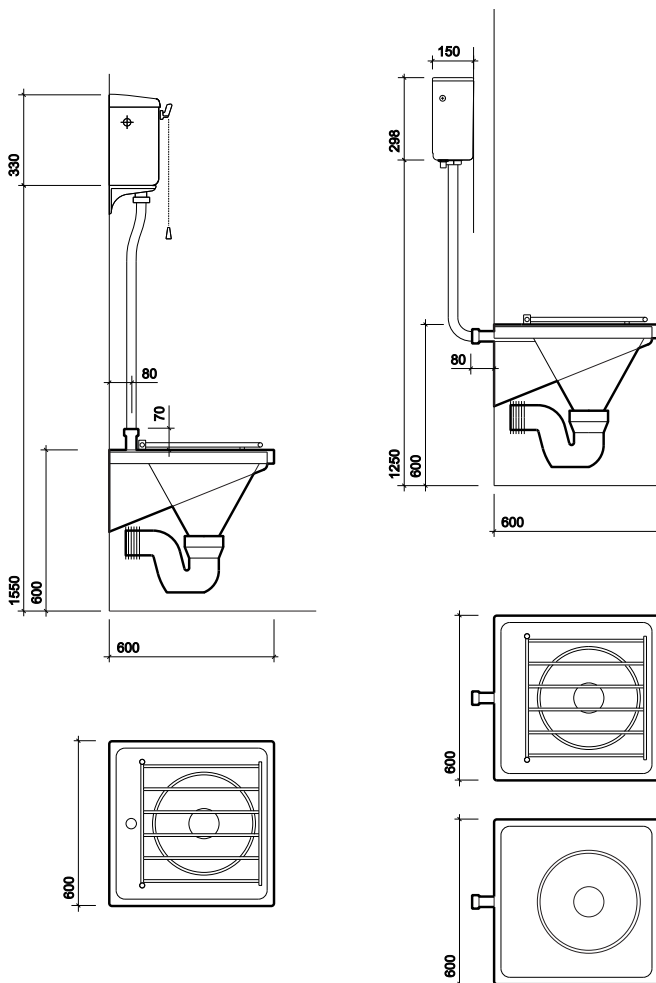


wall mounted disposal hopper DU

solid and liquid waste disposal unit with continuous flushing rim and hinged bucket grating
radiused easy clean internal surfaces



Wall mounted disposal hopper, with grating (back inlet illustrated)



All measurements shown are in millimetres. Drawing sizes are not to scale.

to specify/order:

Please use the eight character reference shown below.

wall mounted disposal hopper

With grating, flushpipe connectors, satin polish finish:
600 x 600 x 300mm, top inlet **PS8109SS**

With grating, flushpipe connectors, satin polish finish:
600 x 600 x 300mm, back inlet **PS8110SS**

*Without grating, flushpipe connectors, satin polish finish:
600 x 600 x 300mm, back inlet **PS8112SS**

traps
P trap, plastic (white) **WF8602XX**

removable outlet grating
Removable outlet grating **PS9017SS**

cantilever bracket
Cantilever brackets (pair) **PS9018SS**

back inlet hopper
Concealed cistern, complete with fittings, including chrome plated lever and flushbend, SSIO 6 litre Plastic flushpipe **CX9560XX**
CF6217WH

top inlet hopper
Vitreous china high level 6 litres cistern, complete with valveless fittings and reversible chain pull **CX7630WH**
Cistern supporting brackets **SR1300XX**
Plastic flushpipe **CF6410WH**

applications
Commercial, Healthcare.

approvals
*H.T.M. 64, code DU

material
Stainless steel type 304 to EN 1 4401 or SS2333, AFNOR Z 6 CN 18-09, BS 304S31. 1.5mm steel thickness.

colour
Stainless steel.

fixings
Mounted on screw to wall cantilever brackets. Cistern screwed to wall.