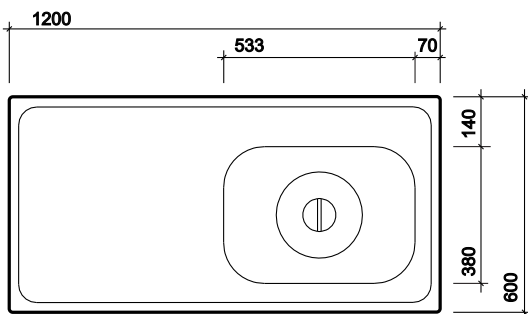
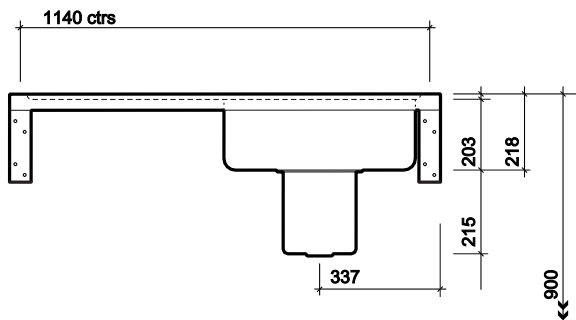
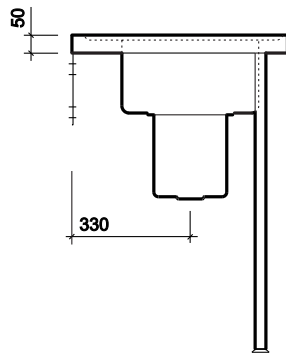


plaster sink PS H

plaster sinks are designed for use in hospitals and other areas where casting materials are prepared and soaked



Plaster sink and worktop (left hand drainer illustrated)



All measurements shown are in millimetres. Drawing sizes are not to scale.

to specify/order:

Please use the eight character reference shown below.

plaster sink and worktop

1200 x 600 x 418mm, satin polish finish, no tap holes, complete with basket lid and grated outlet waste:

Left hand drainer, right hand sink PS H **PS9115SS**

Right hand drainer, left hand sink PS H **PS9215SS**

cantilever bracket

Cantilever brackets (pair)

PS9018SS

leg supports

Leg & bearer brackets (pair)

PS9019SS

brassware

Please refer to the brassware section.

applications

Commercial, Healthcare.

approvals

H.T.M. 64, code PS H

material

Stainless steel type 304 to EN 1 4401 or SS2333, AFNOR Z 6 CN 18-09, BS 304S31.

1.2mm (top) 0.9mm (bowl) steel thickness.

colour

Stainless steel.

fixings

(i) Screw to wall cantilever brackets or

(ii) Legs with screw to wall bearers.

Fixings not supplied.