

floor standing bucket sink

ideal for where there is a need to dispose of dirty water



Floor standing bucket sink

to specify/order:

Please use the eight character reference shown below.

bucket sink

648 x 508 x 890mm floor standing bucket sink, splash back, hinged grating, flushgrated waste, legset & complete with integral wall brackets

PS4044SS

brassware

Please refer to the brassware section.

applications

Commercial, Education, Healthcare, Hotels & Leisure, Other.

Stainless steel type 304 to EN 1 4401 or SS2333, AFNOR Z 6 CN 18-09, BS 304S31.

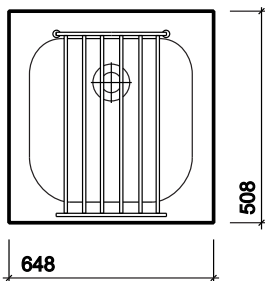
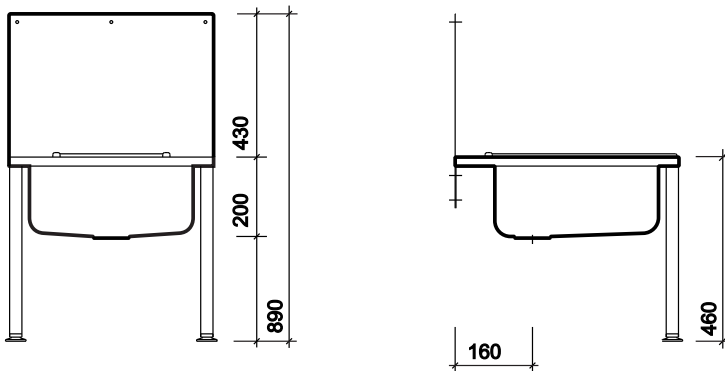
1.5mm (Top) 0.9mm (Bowl) steel thickness.

colour

Stainless steel.

fixings

Floor mounted and screwed to wall with brackets. Fixings not supplied.



All measurements shown are in millimetres. Drawing sizes are not to scale.

Lawton Road, Alsager, Stoke-on-Trent ST7 2DF, UK
Tel: +44(0) 1270 879777 Fax: +44(0) 1270 873864
www.twyfordbathrooms.com UK Technical Helpline Tel: 0844 412 5921 Fax: 0844 412 5922

Twyford
bathrooms

For latest prices and delivery to your door visit MyTub Ltd - www.mytub.co.uk - info@mytub.co.uk