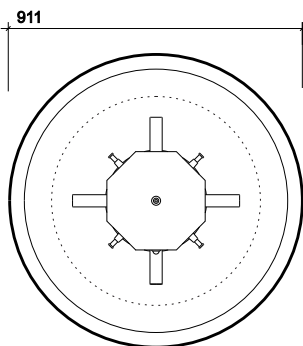
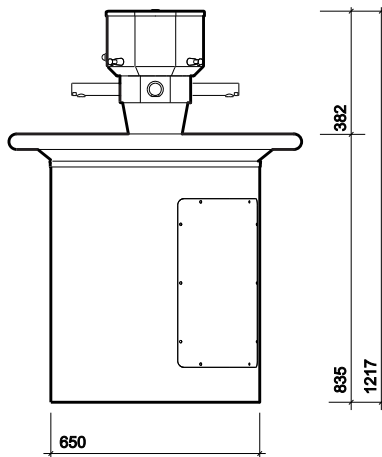


circular washstation

4 to 6 person circular washstation, with radiused outer edge mounted on pedestal base with access panel



Circular washstation



All measurements shown are in millimetres. Drawing sizes are not to scale.

to specify/order:

Please use the eight character reference shown below.

circular washstation

Circular washstation, complete with: Sensor taps, 1.5" waste outlet, satin polish finish. (Centre column contains plumbing to sensor taps, soap tank with valves):

911 dia x 1217mm

PS8004SS

applications

Commercial, Education, Healthcare, Hotels and Leisure, Other.

approvals

W.R.A.S listed.

material

Stainless steel type 304 to EN 1 4401 or SS2333, AFNOR Z 6 CN 18-09, BS 304S31. 1.5mm steel thickness.

colour

Stainless steel.

fixings

Floor mounted with fixings (not supplied).

note

Operating pressure 0.5 to 10 bar.