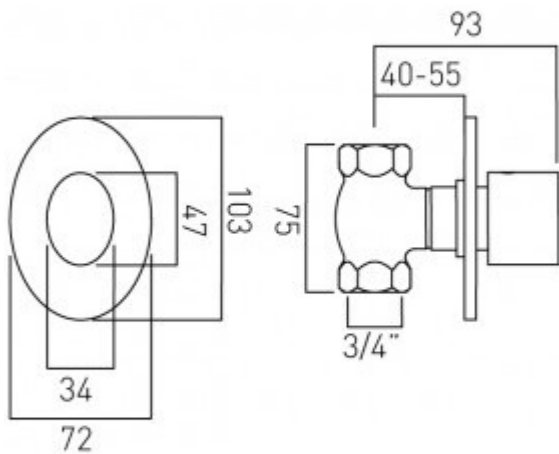




technical drawing



description:

concealed stop valve 3/4"
wall mounted
ceramic cartridge ELW-136/VALVE/CL
3/4" inlet
3/4" outlet
min-max wall mount 55-70mm

finishes:

chrome

minimum operating pressure: 0.3 bar LP

guarantee:

12 year guarantee

VADO wedmore road cheddar somerset england bs27 3eb

tel 01934 744466 fax 01934 744345 sales@vado-uk.com www.vado-uk.com