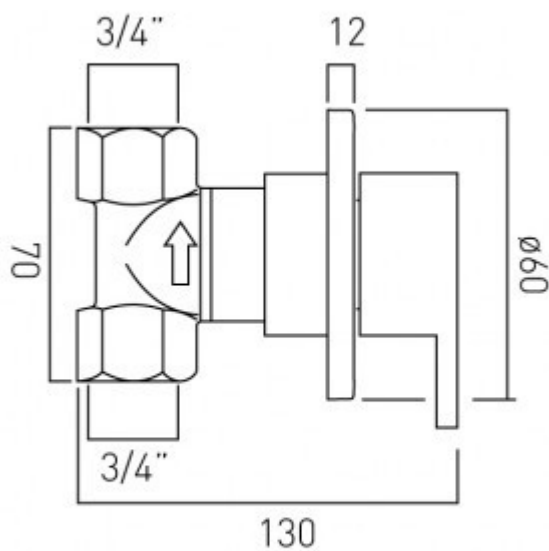




technical drawing



description:

concealed stop valve 3/4"
wall mounted
ceramic cartridge ELE-VALVE/CD-3/4
1 x 3/4" female inlet
1 x 3/4" female outlet
min-max wall mount 60-80mm

finishes:

chrome

minimum operating pressure: 0.2 bar LP

guarantee:

12 year guarantee

VADO wedmore road cheddar somerset england bs27 3eb

tel 01934 744466 fax 01934 744345 sales@vado-uk.com www.vado-uk.com