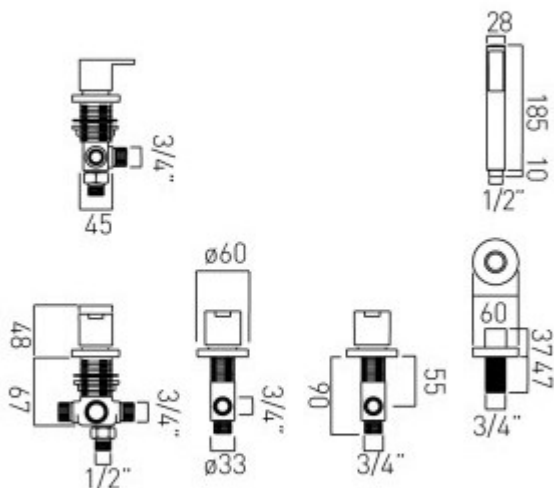




**technical drawing**



**description:**

4 hole bath shower mixer  
deck mounted  
with shower kit  
without spout  
for use with bath filler waste and overflow  
ceramic cartridge ELE-VALVE/CD-3/4  
2 x 3/4" x 3/4" x 500mm flexipipe connections  
valve deck mount drill hole diameter 33mm  
diverter deck mount drill hole diameter 46mm  
handset deck mount drill hole 2 diameter 7mm

**finishes:**

chrome

**minimum operating pressure:** 0.7 bar LP

**ECO flow regulator:** FR-SHOWER/9-C/P

**guarantee:**

12 year guarantee

VADO wedmore road cheddar somerset england bs27 3eb

tel 01934 744466 fax 01934 744345 sales@vado-uk.com www.vado-uk.com