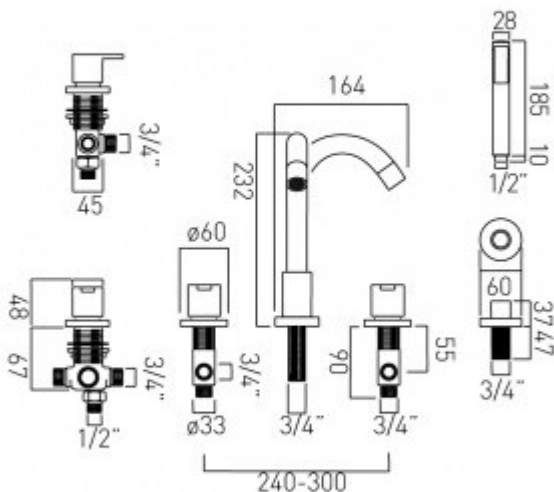




technical drawing



description:

5 hole bath shower mixer  
deck mounted  
with fixed spout  
with shower kit  
with water flow straightener  
with water flow aerator  
ceramic cartridge ELE-VALVE/CD-3/4  
3 x 3/4" x 3/4" x 500mm flexipipe connections valve deck  
mount drill hole diameter 33mm  
spout deck mount drill hole diameter 27mm  
diverter deck mount drill hole diameter 46mm  
handset deck mount drill hole diameter 27mm

finishes:

chrome

minimum operating pressure: 0.7 bar LP

**ECO** flow regulator: FR-SHOWER/9-C/P

guarantee:

12 year guarantee

VADO wedmore road cheddar somerset england bs27 3eb

tel 01934 744466 fax 01934 744345 sales@vado-uk.com www.vado-uk.com