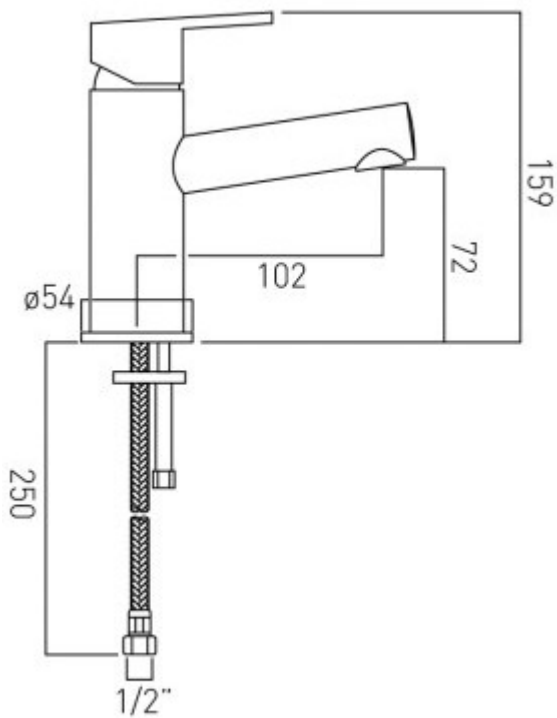




technical drawing



description:

mono basin mixer
single lever
deck mounted
smooth bodied
without clic-clac waste
with water flow aerator
with water flow straightener
ceramic cartridge CAR-K40A
2 x 1/2" nut x 300mm flexipipe connection
2 x 15mm x 250mm copper tail connections
deck mount drill hole diameter 35mm

finishes:

chrome

minimum operating pressure: 0.2 bar LP

Eco flow regulator: FR-100/5-PLA

guarantee:

12 year guarantee

VADO wedmore road cheddar somerset england bs27 3eb

tel 01934 744466 fax 01934 744345 sales@vado-uk.com www.vado-uk.com