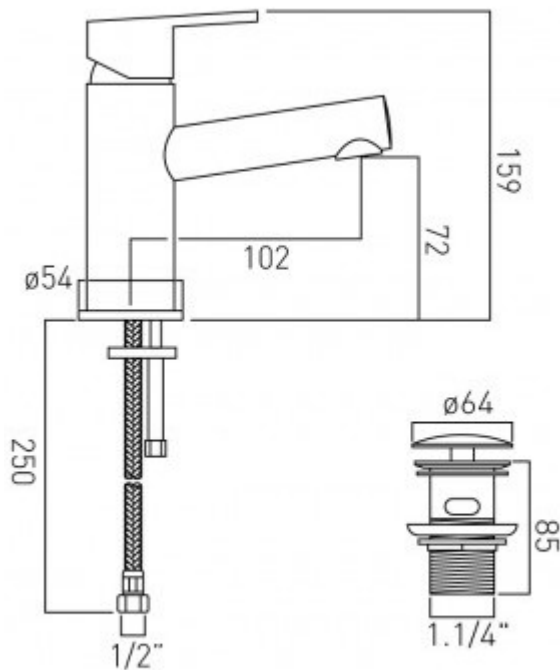




technical drawing



**description:**

mono basin mixer  
single lever  
deck mounted  
smooth bodied  
with clic-clac waste  
with water flow aerator  
with water flow straightener  
ceramic cartridge CAR-K40A  
2 x 1/2" nut x 300mm flexipipe connection  
2 x 15mm x 250mm copper tail connections  
deck mount drill hole diameter 35mm

**finishes:**

chrome

**minimum operating pressure:** 0.2 bar LP

**ECO** flow regulator: FR-100/5-PLA

**guarantee:**

12 year guarantee

VADO wedmore road cheddar somerset england bs27 3eb

tel 01934 744466 fax 01934 744345 sales@vado-uk.com www.vado-uk.com