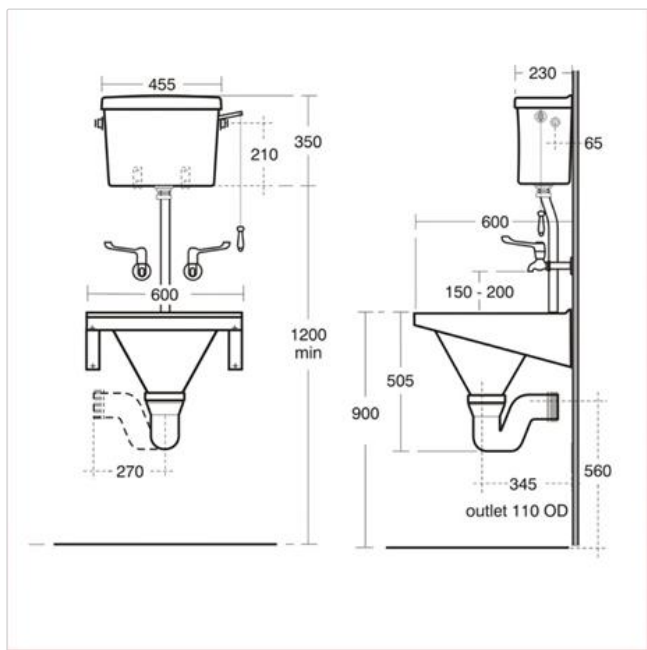


Leven Top Inlet Slophopper In Stainless Steel

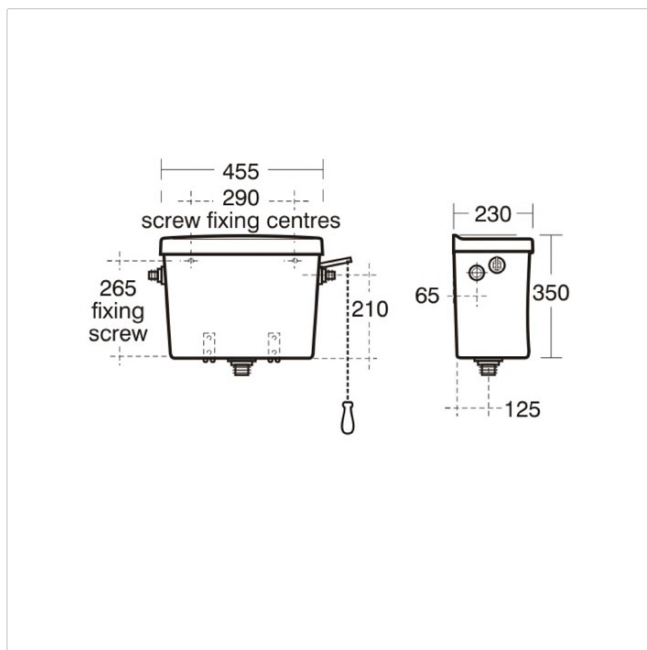


Illustrated

- S6568** Leven slop hopper stainless steel, top inlet
- S8347** Bib tap extensions 1/2" x 100mm long (pair)
- S4590** Cistern Conversion Kit - To 9 litre Flush
- S3955** Clena cistern 6 litre single flush syphon, high level, side supply and internal overflow, chain with rubber pull (fittings are reversible)
- S3584** P trap outlet, plastic for slop hoppers
- S8270** Markwik 1/2" bib taps
- S8336** Bib tap wall mounts 1/2" for concealed plumbing (pair)

Configuration options

- S9281** Leg 900mm stainless steel to floor (2 required)
- S3585** S trap outlet, plastic for slop hoppers
- S8331** Bib tap wall mounts 1/2" for exposed plumbing (pair)



Material

Stainless Steel

Weights

- S6568 12.50KG
- S8347 0.80KG
- S4590 0.00KG
- S3955 16.00KG
- S3584 0.26KG
- S8270 1.65KG
- S8336 0.79KG

Colours

Stainless Steel (MY)

Standards

Manufactured from 1.2mm 1.4301 (304) Stainless Steel sheet, conforms to BS EN 10088: Part 2: 2005

Special Notes

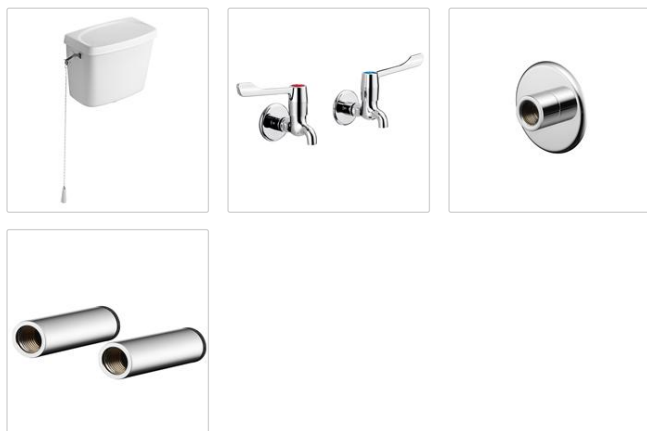
For the disposal of liquid and solid waste in connection with clinical procedures. HTM64 does not cover for the provision of leg supports to floor. Note 2.94 states that "Exposed services are visually unattractive, can be unhygienic and are difficult to clean and decorate. Indeed the additional cost of the latter over a number of years may well exceed any savings in initial capital costs"

Frequently used applications

- Factory
- Hospitals
- General Healthcare

Features

Water Saving



Armitage Shanks

Tel: 0870 122 8822
 Fax: 0870 122 8282
 Email: info@idealspec.co.uk
 Web: www.idealspec.co.uk

Powered by
IdealSpec

Ideal Standard (UK) Ltd. makes every effort to ensure that the information provided on its website is accurate. However, we cannot guarantee this, and accept no liability for any information or advice given via its website.

Date created:06/01/2014