

Leven Back Inlet Slophopper In Stainless Steel

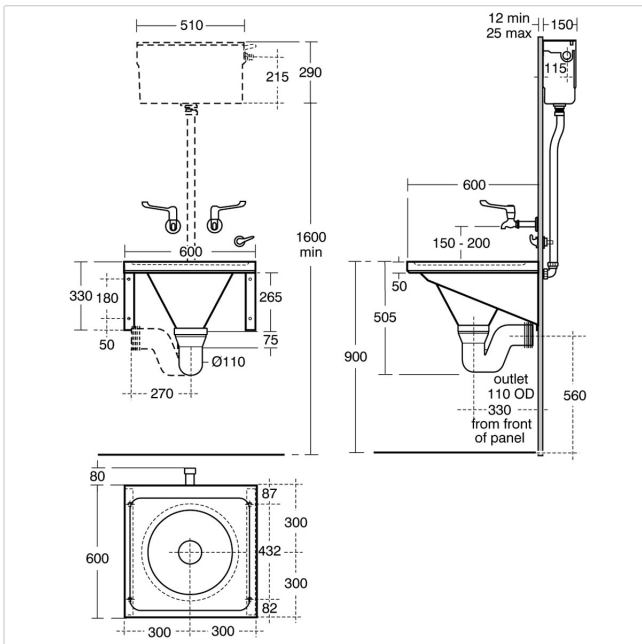


Illustrated

- S6567** (DU) Leven slop hopper stainless steel, back inlet
- S4663** Flushpipe 850 x 35mm diameter for slop hopper
- S8347** Bib tap extensions ½" x 100mm long (pair)
- S3626** Conceala 2 cistern 6 litre single flush syphon high level side supply and internal overflow, lever with chain
- S3584** P trap outlet, plastic for slop hoppers
- S8270** (TB H1) Markwik ½" bib taps
- S8336** Bib tap wall mounts ½" for concealed plumbing (pair)

Configuration options

- S4385** High Level Lever Assembly For Conceala 1 Cistern
- S9281** Leg 900mm stainless steel to floor (2 required)
- S3632** Conceala 1 cistern 9 litre single flush syphon, alternative height plastic flushbends side supply and internal overflow, no lever
- S3585** S trap outlet, plastic for slop hoppers



Weights

- S6567 12.50KG
- S4663 2.00KG
- S8347 0.80KG
- S3626 3.00KG
- S3584 0.26KG
- S8270 1.65KG
- S8336 0.79KG

Standards

Manufactured from 1.2mm 1.4301 (304) Stainless Steel sheet, conforms to BS EN 10088: Part 2: 2005

Special Notes

HTM64 does not cover for the provision of leg supports to floor

Colours

Stainless Steel (MY)

Frequently used applications

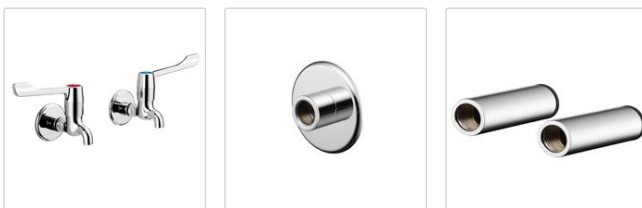
General Healthcare

Hospitals

Features

HTM

Water Saving



*Armitage
Shanks*

Tel: 0870 122 8822
 Fax: 0870 122 8282
 Email: info@idealspec.co.uk
 Web: www.idealspec.co.uk

Ideal Standard (UK) Ltd. makes every effort to ensure that the information provided on its website is accurate. However, we cannot guarantee this, and accept no liability for any information or advice given via its website.

Powered by
IdealSpec

Date created:06/01/2014