



Deveron Stainless Steel Slab Urinal Up To 120cm

Illustrated

S6380 Deveron urinal with back inlet spreaders or exposed sparge pipes with downpipe as required, 120cm long with 2" BSP domed strainer waste

Configuration options

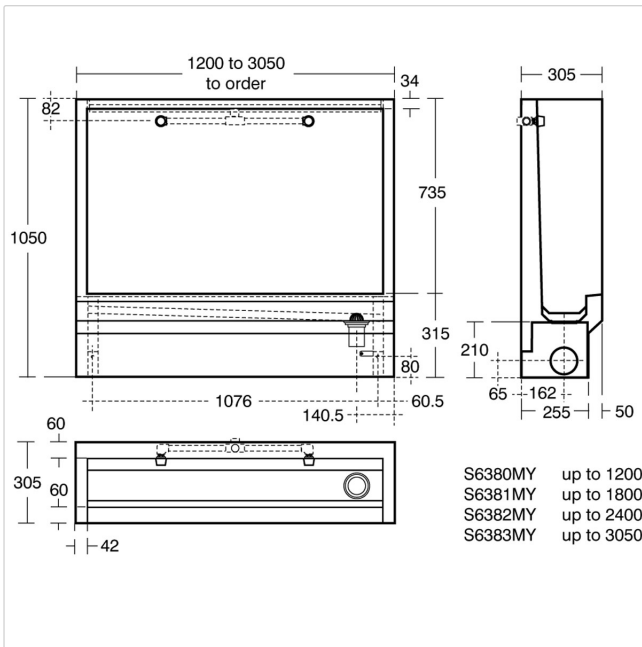
S6381 Deveron urinal with back inlet spreaders or exposed sparge pipes with downpipe as required, up to 180cm long with 2" BSP domed strainer waste

S6382 Deveron urinal with back inlet spreaders or exposed sparge pipes with downpipe as required, up to 240cm long with 2" BSP domed strainer waste

S6383 Deveron urinal with back inlet spreaders or exposed sparge pipes with downpipe as required, up to 305cm long with 2" BSP domed strainer waste

S6161 Deveron urinal corner plinth, stainless steel

S6160 Deveron urinal joining strip, stainless steel



Material

Stainless Steel

Weights

S6380 51.50KG

Colours

Stainless Steel (MY)

Standards

Stainless steel conforms to BS EN 10088:Part 2:2005. Urinals to BS 4880: 1973

Special Notes

When ordering, state overall length of urinal, whether concealed or exposed, right or left hand outlet. Earthing tag supplied. When specifying please be aware urinal ranges on 2 or more walls are not available as a 1 piece construction and are joined using stainless steel corner plinths. Urinal comes complete with cisterns and flush pipes

Frequently used applications

Education	Factory
Hotels	Office
Public Building	Pubs and Clubs
Retail	Sports and Leisure
Vandal Risk	

Features

Water Saving