

Contemporary 21 Hinged Support Rail

Illustrated

S6362 Contemporary 21 hinged support rail

Configuration options

Material

Aluminium

Weights

S6362 3.00KG

Colours

Chrome finish (AA)

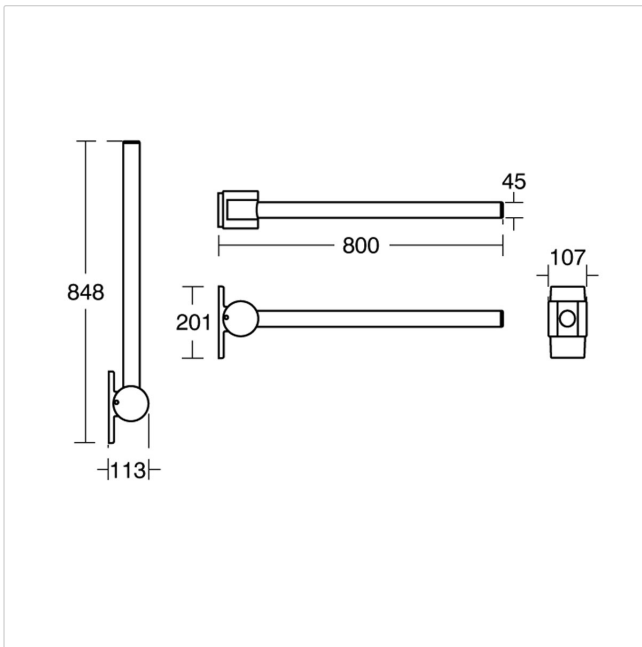
Stainless Steel (MY)

Special Notes

There should generally be enough contrast within the finish reflection to meet the Doc M requirements.

Frequently used applications

Education	Factory
General Healthcare	Hotels
Office	Public Building
Pubs and Clubs	Residential
Retail	Sports and Leisure



*Armitage
Shanks*

Tel: 0870 122 8822
Fax: 0870 122 8282
Email: info@idealspec.co.uk
Web: www.idealspec.co.uk

Ideal Standard (UK) Ltd. makes every effort to ensure that the information provided on its website is accurate. However, we cannot guarantee this, and accept no liability for any information or advice given via its website.

Powered by
IdealSpec

Date created: 18/02/2014