

Firth Trough 240cm RH Waste Cover & Hangers

Illustrated

- S2877** (SU H) Firth 240cm scrub-up trough, right hand outlet strainer waste, trap cover and hangers
- A6062** (TB H6) Markwik 21 integral thermostat, bib mixer, time flow sensor, single flow horizontal outlet, 2 x 1/2" inlets at 200mm centres, Armitage Bioguard outlet fitted
- S8925** (TRR2/P) Trap 1 1/2" plastic resealing bottle with 75mm seal, multi-purpose outlet

Configuration options

Material

Stainless Steel

Weights

S2877 53.00KG
 A6062 5.80KG
 S8925 0.33KG

Standards

Manufactured from 1.5 mm Stainless Steel 1.4301 (304) to BSEN 10088: Part2:2005

Special Notes

For use in connection with surgical washing of forearms and hands see further pages for TB H6 details A6062 Markwik time flow thermostatic, sensor mixer

Colours

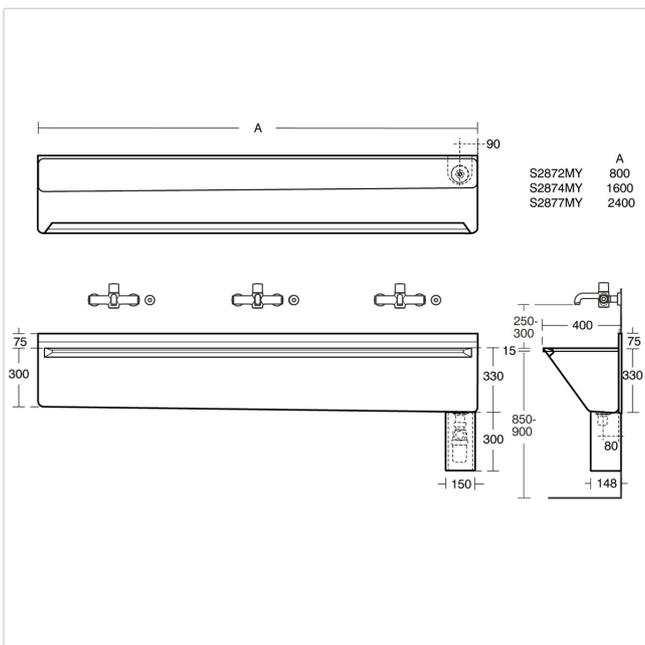
Stainless Steel (MY)

Frequently used applications

Factory Hospitals

Features

HTM



Armitage
Shanks

Tel: 0870 122 8822
 Fax: 0870 122 8282
 Email: info@idealspec.co.uk
 Web: www.idealspec.co.uk

Ideal Standard (UK) Ltd. makes every effort to ensure that the information provided on its website is accurate. However, we cannot guarantee this, and accept no liability for any information or advice given via its website.

Powered by
Ideal Spec

Date created: 27/02/2015