



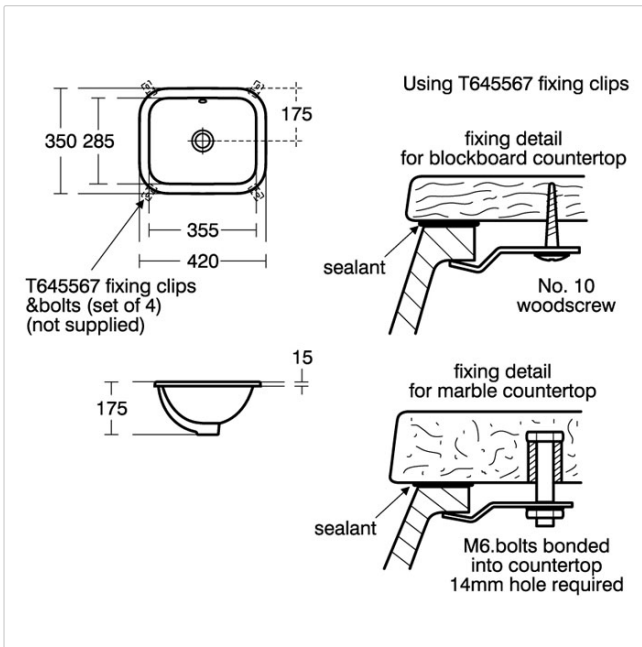
Contour 21 Rectangular 42cm Under-countertop Washbasin, Overflow

Illustrated

- S2689** Contour 21 Rectangular 42cm under-countertop washbasin with overflow
- A4852** Sensorflow 21 compact washbasin mounted spout integral sensor servicing valve and filter, copper tube inlets, mains
- S8733** Waste 1¼" brass anti theft swivel plug waste, 80mm slotted tail
- S8920** Trap 1¼" plastic resealing bottle, 75mm seal, multi-purpose outlet

Configuration options

- S8803** Waste 1¼" Click plug waste, 80mm slotted tail
- S8722** Waste 1¼" brass strainer waste, 80mm slotted tail
- A5900** TMV Thermostatic mixing valve 15mm
- S8910** Trap 1¼" plastic bottle, 75mm seal, multi-purpose outlet
- E0079** Trap 1¼" Contemporary metal bottle



Material

Fine Fireclay

Standards

Vitreous china to BS 3402.
Washbasin to BS EN 14688

Weights

S2689	6.05KG
A4852	1.60KG
S8733	0.35KG
S8920	2.00KG

Special Notes

This washbasin is not suitable for separate pillar taps. Washbasin mounted on underside of countertop using fixing clips provided. Joint sealed using waterproof sealant (not supplied).

Colours

White (01)

Consideration should be given to safe hot water delivery and the use of an appropriate temperature reduction device see A5900AA

Designer

Robin Levien, RDI



Frequently used applications

Education	Hotels
Office	Public Building
Pubs and Clubs	Retail
Social Housing	Sports and Leisure

Accreditations

Water Label
WRAS

*Armitage
Shanks*

Tel: 0870 122 8822
Fax: 0870 122 8282
Email: info@idealspec.co.uk
Web: www.idealspec.co.uk

Ideal Standard (UK) Ltd. makes every effort to ensure that the information provided on its website is accurate. However, we cannot guarantee this, and accept no liability for any information or advice given via its website.



Date created:06/01/2014