



Denholm 2 Stainless Steel 46cm Washbasin 2 Taphole With Combined Chainstay Overflow

Illustrated

- S2625** Denholm 2 washbasin 46cm with 2 corner tapholes complete with combined chainstay overflow waste
- B8267** Avon 21 washbasin inclined pillar taps (pair) with dual Hot and Cold indices per tap, self closing push button non concussive, water saving anti-vandal nozzle regulated to 5 litres per minute maximum. Alternative low pressure outlet option supplied.
- S8920** Trap 1¼" plastic resealing bottle, 75mm seal, multi-purpose outlet

Configuration options

Material

Stainless Steel

Weights

S2625 3.80KG
B8267 2.25KG
S8920 2.00KG

Standards

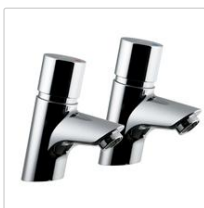
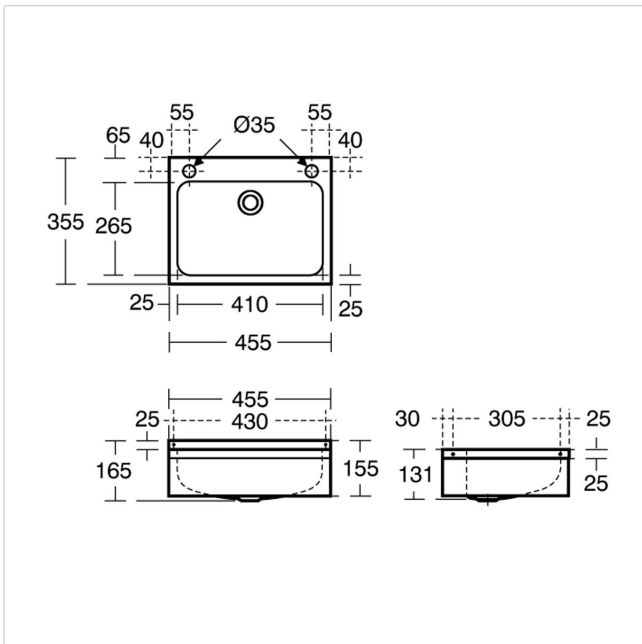
Steel sheet conforms to BS EN 10088:Part2:2005
Material 1.4301 (304) - 0.9mm

Special Notes

Stainless steel screw to wall brackets and bolts inclusive. Consideration should be given to safe hot water delivery and the use of an appropriate temperature reduction device see A5900AA or Part G for guidance.

Colours

Stainless Steel (MY)



Frequently used applications

- | | |
|-----------------|--------------------|
| Education | Factory |
| Public Building | Pubs and Clubs |
| Retail | Sports and Leisure |
| Vandal Risk | |

*Armitage
Shanks*

Tel: 0870 122 8822
Fax: 0870 122 8282
Email: info@idealspec.co.uk
Web: www.idealspec.co.uk

Ideal Standard (UK) Ltd. makes every effort to ensure that the information provided on its website is accurate. However, we cannot guarantee this, and accept no liability for any information or advice given via its website.

Powered by
IdealSpec

Date created:27/02/2015