



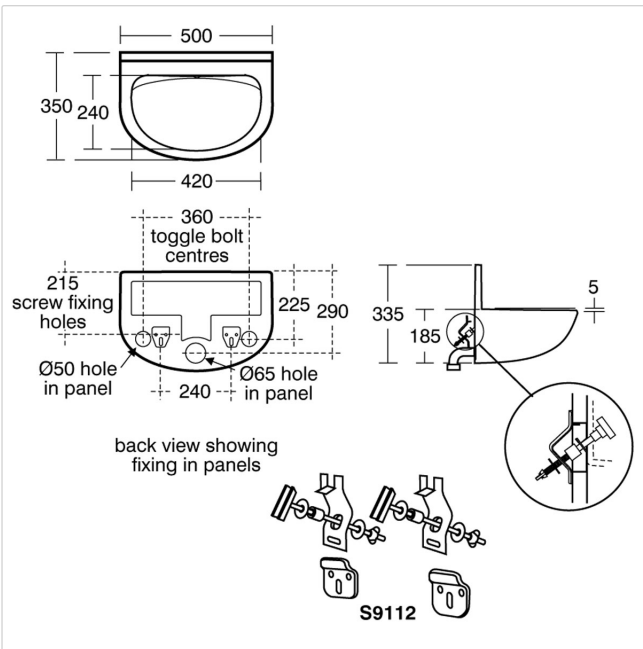
## Contour 21 Washbasin 50cm With Upstand No TH No CH No O/F

### Illustrated

- S2144** (LB H M) Contour 21 back outlet washbasin, 50cm with 150mm upstand splashback, no tapholes, no overflow, no chainstay hole
- A6243** (TB-H2A) Markwik 21 integral thermostat, demountable panel mixer, single sequential lever, Armitage Bioguard outlet fitted
- S8750** Waste 1¼" outlet adaptor for all Contour back outlet washbasins
- S8920** (TRR1/P) Trap 1¼" plastic resealing bottle, 75mm seal, multi-purpose outlet
- S9112** Concealed hangers pressed Steel, toggle bolts and clips for Contour washbasins

### Configuration options

- S8746** Plastic strainer for back outlet washbasins
- A6256** Filter Adaptor for Markwik 21 demountable mixer spout
- F960847** Nozzle Anti-Pseudomonas outlet for Markwik 21
- A4846** Sensorflow 21 compact tubular panel mounted 150mm projection spout, anti splash or anti vandal laminar flow outlet, integral sensor, copper tube inlets, mains
- A4847** Sensorflow 21 compact tubular panel mounted 150mm projection spout, anti splash or anti vandal laminar flow outlet, integral sensor, copper tube inlets, link
- A4845** Sensorflow 21 compact tubular panel mounted 150mm projection spout, anti splash or anti vandal laminar flow outlet, integral sensor, copper tube inlets, battery
- A6252** (TB H6) Spout 1070mm for Markwik 21 mixer, fitted with interchangeable Armitage Bioguard filter
- A5900** TMV Thermostatic mixing valve 15mm



### Material

Fine Fireclay

### Weights

S2144	14.00KG
A6243	4.00KG
S8750	0.17KG
S8920	2.00KG
S9112	0.47KG

### Colours

White (01)

### Special Notes

Toggle bolts and outlet adaptor suitable for maximum panel thickness of 18mm. For use in connection with washing associated with clinical procedures. Suggested rim height 780-800mm. Washbasin wall mounted using S9112 hangers with additional toggle bolt and clips when panel mounted. Suitable for dedicated wall mounted taps will need to be positioned sufficiently above the upstand to a maximum of 200mm from base of outlet to lip of washbasin.

### Designer

Robin Levien, RDI

### Frequently used applications

Education  
Hospitals  
General Healthcare

### Features

HTM

Armitage  
Shanks

Tel: 0870 122 8822  
Fax: 0870 122 8282  
Email: [info@idealspec.co.uk](mailto:info@idealspec.co.uk)  
Web: [www.idealspec.co.uk](http://www.idealspec.co.uk)

Ideal Standard (UK) Ltd. makes every effort to ensure that the information provided on its website is accurate. However, we cannot guarantee this, and accept no liability for any information or advice given via its website.



Date created:13/01/2014