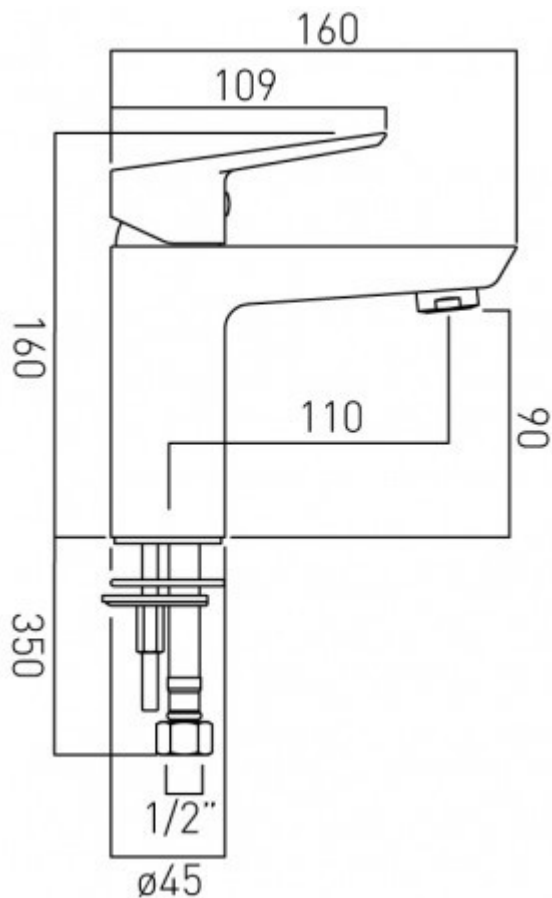




Technical sheet: PHO-100/SB-C/P



technical drawing



description:

mono basin mixer
single lever
deck mounted
smooth bodied
without clic-clac waste
with water flow aerator
ceramic cartridge CAR-535/PHO
2 x 1/2" x 425mm flexipipe connections
deck mount drill hole diameter 34mm

finishes:

chrome

minimum operating pressure: 0.2 bar LP

Eco flow regulator: FR-100/5-PLA

guarantee:

12 year guarantee

VADO wedmore road cheddar somerset england bs27 3eb

tel 01934 744466 fax 01934 744345 sales@vado-uk.com www.vado-uk.com