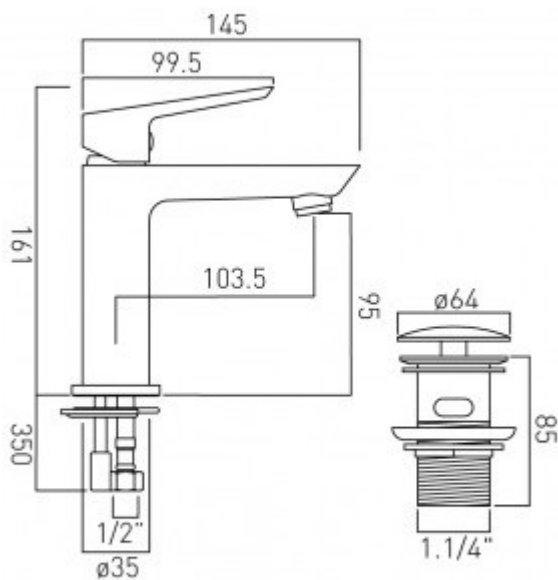




Technical sheet: PHO-100M/CC-C/P



technical drawing



description:

mini mono basin mixer
single lever
deck mounted
smooth bodied
with clic-clac waste
with water flow aerator
ceramic cartridge PHO-100M/CAR
2 x 1/2" x 425mm flexipipe connections
deck mount drill hole diameter 32mm

finishes:

chrome

minimum operating pressure: 0.5 bar LP

Eco flow regulator: FR-FLEXI/5-PLA

guarantee:

12 year guarantee

VADO wedmore road cheddar somerset england bs27 3eb

tel 01934 744466 fax 01934 744345 sales@vado-uk.com www.vado-uk.com