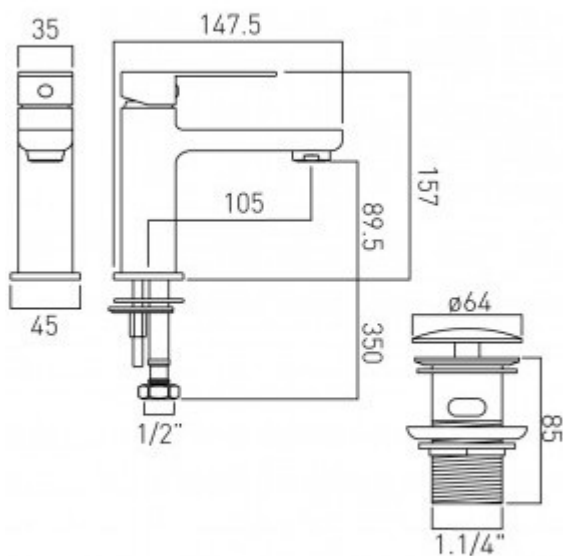




technical drawing



**description:**

mini mono basin mixer  
single lever  
deck mounted  
smooth bodied  
with clic-clac waste  
with water flow aerator  
ceramic cartridge PHA-100M-CAR  
2 x 1/2" x 425mm flexipipe connections  
deck mount drill hole diameter 32mm

**finishes:**

chrome

**minimum operating pressure:** 0.5 bar LP

**Eco** flow regulator: FR-FLEXI/5-PLA

**guarantee:**

12 year guarantee

VADO wedmore road cheddar somerset england bs27 3eb

tel 01934 744466 fax 01934 744345 sales@vado-uk.com www.vado-uk.com