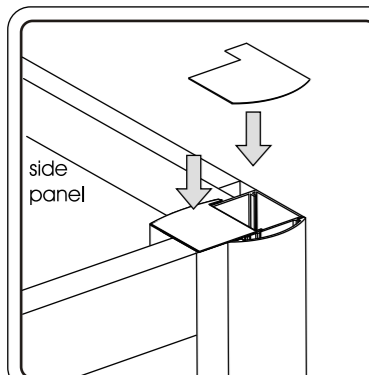


step 21. Installation in a corner.

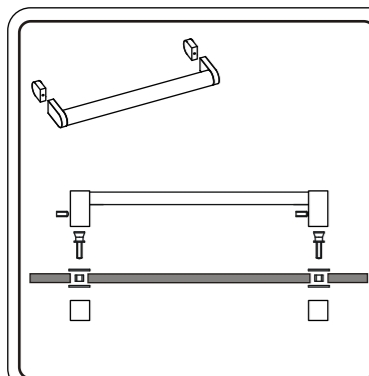
Position left and right wall profiles as shown in the diagram.

Once complete, continue with steps 2-9



step 22.

Drill through the pre-drilled holes in the screen profile into the side panel profile with the 3.2mm drill bit provided. Secure with the 10mm screws provided. Then, install the screw cover strip and the profile cover caps provided. See step 12 for additional diagrams.



step 23.

Install the Towel Rail onto the external face of the side panel, as shown.

Once complete, continue with steps 12-20

Care Instructions

Shower enclosures should be cleaned after every use. To prevent limescale from building up, use a squeegee, a soft cloth or chamois leather - but no cleaning agent - to wipe off any water droplets left after showering. Residue left by bodycare products (liquid soap, shampoo, shower gel) can also cause substances to accumulate. Use water to rinse away residues after use. All sliding door track fittings should also be cleaned this way - to ensure that they continue to run smoothly.

- Don't allow limescale to build up - especially in hard water areas
- If you do get a stubborn limescale build up, a mixture of 50:50 vinegar and water will help you to clean it away - but make sure all vinegar is rinsed off completely
- Never use strong detergents or cleaning agents
- Cleaning materials should wherever possible be rated between PH4 and PH8
- In no circumstances should you use any abrasive substances

Registered office: Lawton Road, Alsager, Stoke-on-Trent, ST7 2DF, UK

T: +44(0) 1270 879777 F: +44(0) 1270 870087

E: shower.team@twyfordbathrooms.com

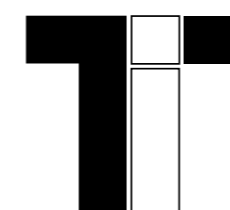
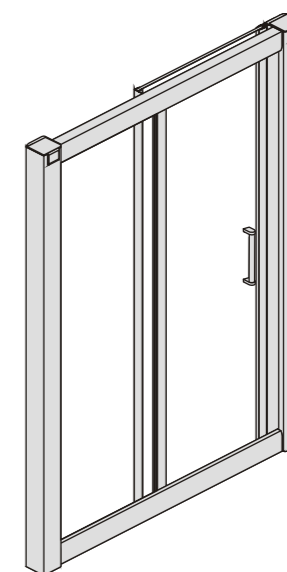
www.twyfordbathrooms.com

Part of the Sanitec Group

OUTFIT

by Twyford

Sliding Door
with or without
Side Panel

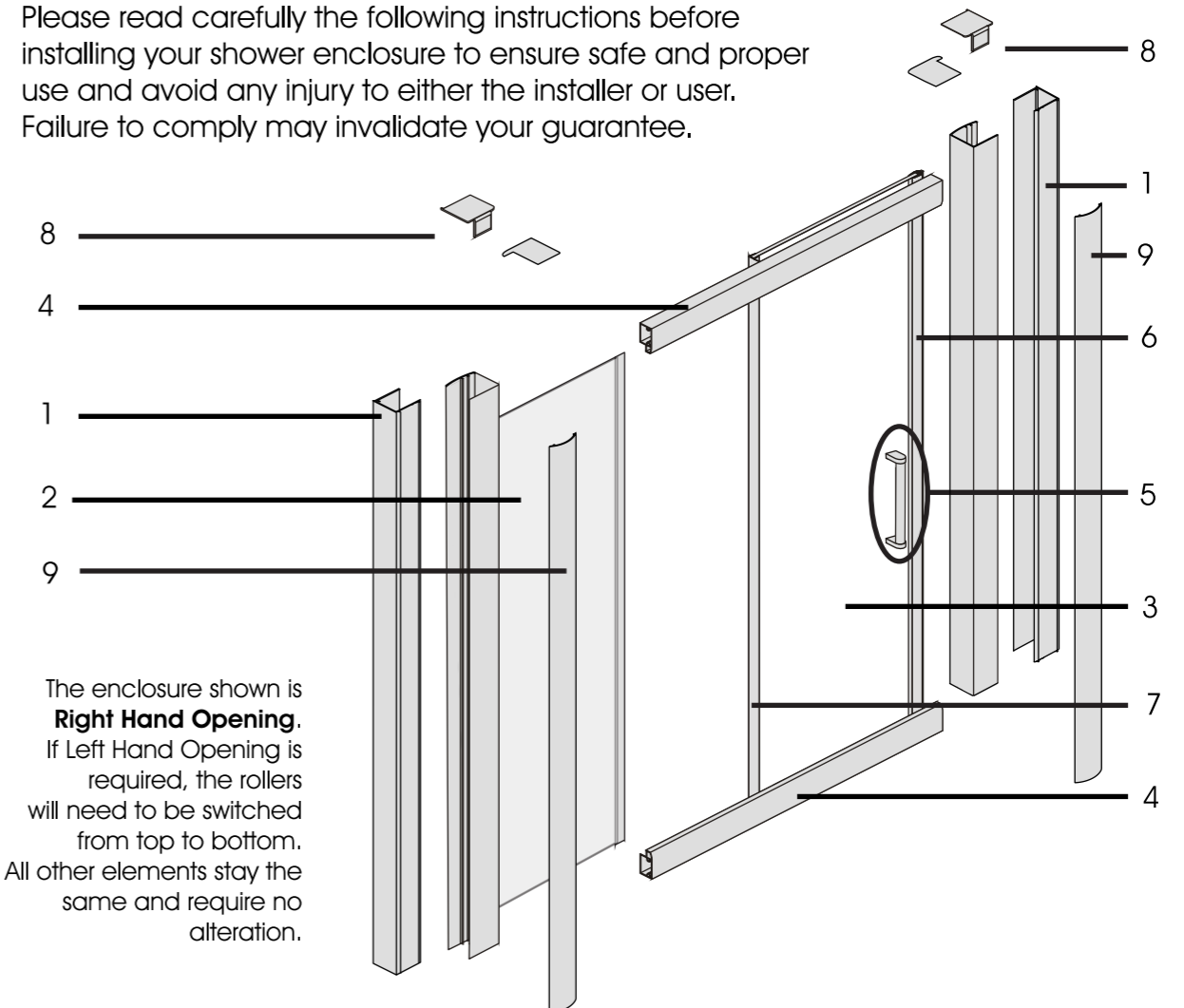


TOTALINSTALL™

Twyford
showering

IMPORTANT

Please read carefully the following instructions before installing your shower enclosure to ensure safe and proper use and avoid any injury to either the installer or user. Failure to comply may invalidate your guarantee.



The enclosure shown is **Right Hand Opening**. If Left Hand Opening is required, the rollers will need to be switched from top to bottom. All other elements stay the same and require no alteration.

| Sliding Door Components list | | |
|------------------------------|----------------------------------|-----|
| Part No: | Description | Qty |
| 1 | Wall Profile | 2 |
| 2 | Fixed Glazed panel and Deflector | 2 |
| 3 | Door | 2 |
| 4 | Top or Bottom Rail | 2 |
| 5 | Handle | 2 |
| 6 | Magnetic Door Seal | 2 |
| 7 | Back Edge Door Deflector | 2 |
| 8 | 2 piece cover caps | 2 |
| 9 | Screw cover strip | 2 |

| Sliding Door Fixings Pack | |
|------------------------------------|-----|
| Description | Qty |
| Allen key | 2 |
| Pan hd self tapping screw 10mm lng | 12 |
| Pan hd self tapping screw 30mm lng | 16 |
| Plastic wall plugs | 8 |
| Drill bit dia 3.2mm | 1 |

| Side Panel Components list | | |
|----------------------------|----------------------------|-----|
| Part No: | Description | Qty |
| 1 | Glazed Panel & Corner Post | 1 |
| 2 | Towel Rail | 1 |
| 3 | 2 piece cover caps (LH/RH) | 2 |
| 4 | Screw cover strip | 1 |

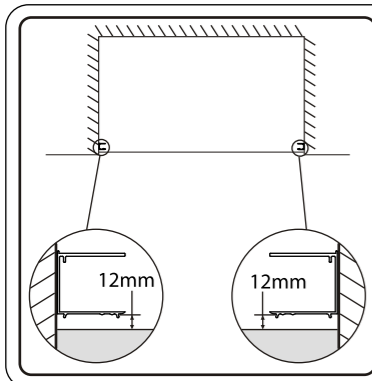
| Side Panel Fixings Pack | |
|------------------------------------|-----|
| Description | Qty |
| Pan hd self tapping screw 10mm lng | 4 |

side panel items not pictured

prior to installation:

Before Installing the shower screen, install the shower tray as per the manufacturers instructions making sure the tray is level in all directions.

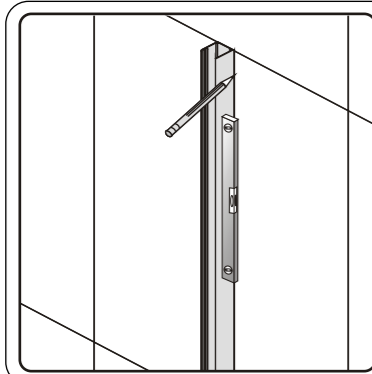
We recommend that the tray is installed before tiling down onto the tray.



step 1. installation in an alcove

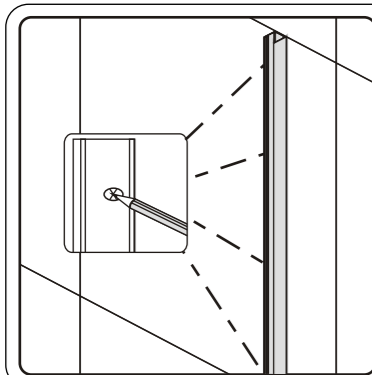
Position the wall profiles approx 12mm in from the edge of the tray or inside of up-stand

For installation with a side panel please see step 21



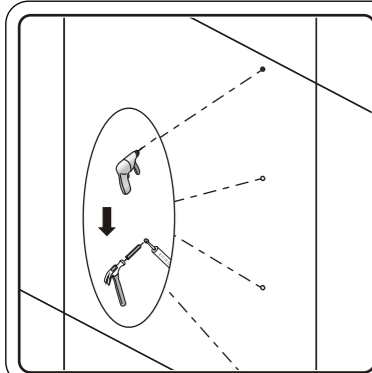
step 2.

Make sure both wall profiles are upright using a spirit level.



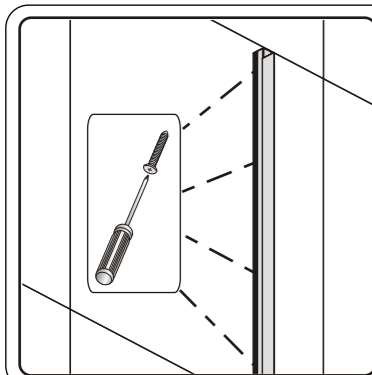
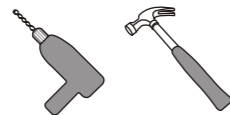
step 3.

Mark the position on the wall through the pre drilled holes with your pencil. Carefully move the wall profile away from the wall and put somewhere safely to avoid damage when you start drilling.



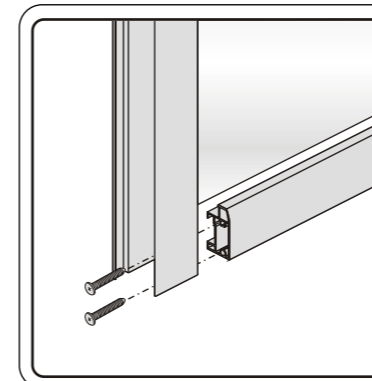
step 4.

Drill holes where marked using the 6mm masonry drill bit. (You may need a specialized drill bit if you are drilling into tiles, if unsure please get advice). You can now install the wall plugs that have been provided.



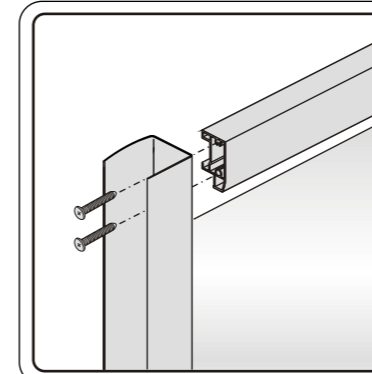
step 5.

Screw one wall profile to the wall making sure you keep the profile vertical. Use the 30mm screws provided. Repeat the above procedures for the Second profile. Make sure the distance from the edge of the tray is the same as the previous profile. **DO NOT fix the second profile at this stage.**



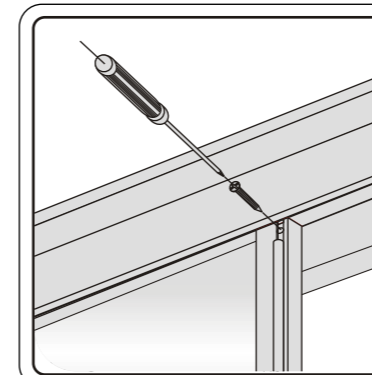
step 6.

Connect the bottom rail to the glazed vertical profile using 30mm screws.



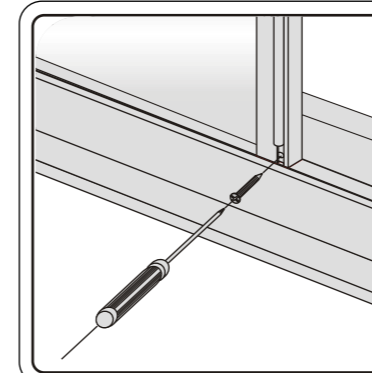
step 7.

Connect the top rail to the glazed vertical profile. Please use the 30mm screws provided.



step 8.

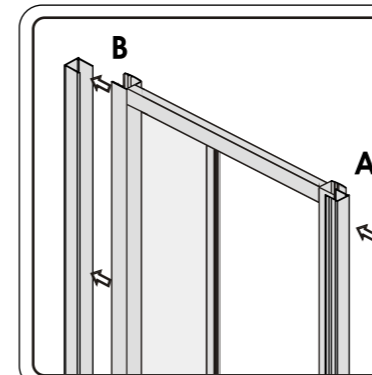
Secure the two chromed inner glazing profiles to the top rail with the 10mm screws.



step 9.

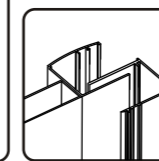
and bottom rail.

**installation into an alcove - go to step 10.
installation with side panel - go to step 22 & 23**

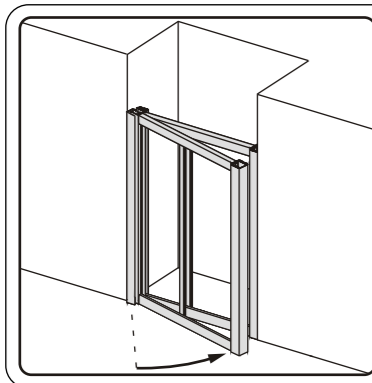


step 10.

Loosely locate the unfixed wall profile into the vertical door profile, as shown **A**. Then, slide the whole unit into the fixed wall profile, **B**.

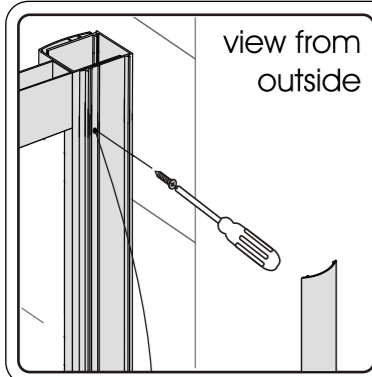
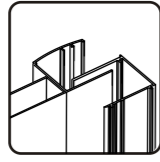


loose profile shown here.



step 11.

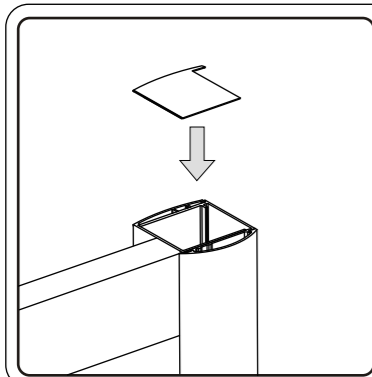
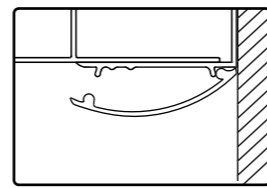
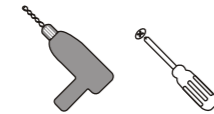
Pivot the whole assembly around the fixed profile to it's final position. By parting the loose profiles, indicated below, the other wall profile can be screwed into your pre-drilled holes.



view from outside

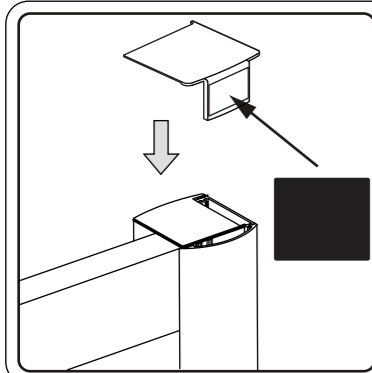
step 12.

Ensuring the screen is central between the walls and vertical, drill through the pre-drilled holes in the shower profile into the wall profile using a 3.2mm diameter drill. Secure together using the 10mm screws provided. Once tight install the screw cover strip.



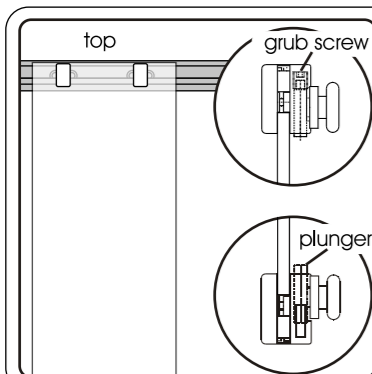
step 13.

Fit the first profile cover cap as shown. Cover caps vary slightly for each side.



step 14.

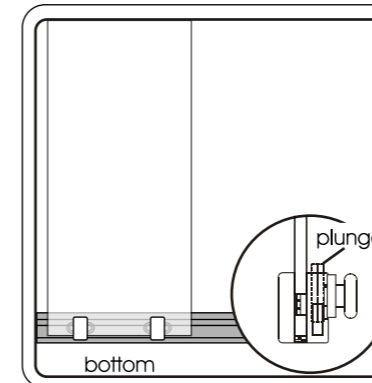
Now fit the upper profile cover cap as shown. Apply the badges as indicated.



step 15.

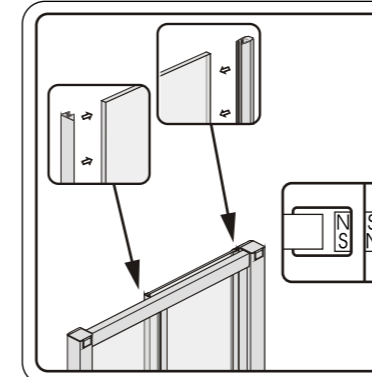
Hang the doors, ensuring the rollers with an allen key adjustment are on the top. Leaving the spring loaded rollers at the bottom.

If the door is to be right-hand opening the rollers will need to be switched from top to bottom in order for the adjustment rollers to be located at the top.



step 16.

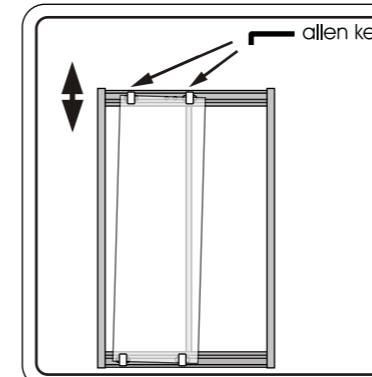
To engage the bottom rollers push down the plungers and locate under the guiderail.



step 17.

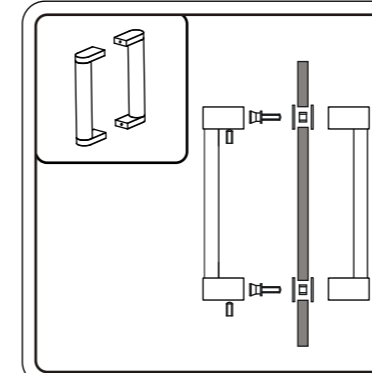
Install the seals as per diagram ensuring the outer deflector strip points towards the fixed glass panel.

Special attention will need to be made to ensure the polarity of the magnetic strips.



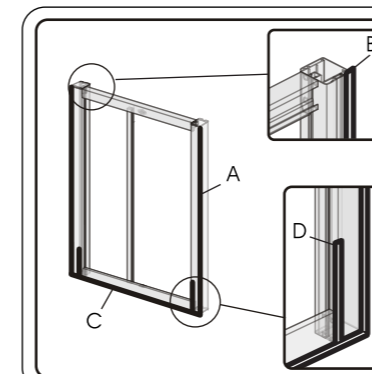
step 18.

Using an allen key, adjust the top rollers up or down to obtain a flush door seal.



step 19.

Install handles as per diagram.



step 20.

Using good quality clear silicon sealant, seal the enclosure to the wall and tray along the following joints:

- A: Outside vertical enclosure-to-wall joint.
- B: Inside vertical enclosure-to-wall joint.
- C: Outside Perimeter enclosure-to-tray joint.
- D: 150mm high wall profile-to-enclosure joint.

(Make sure side panel is sealed in the same way, if installed)