

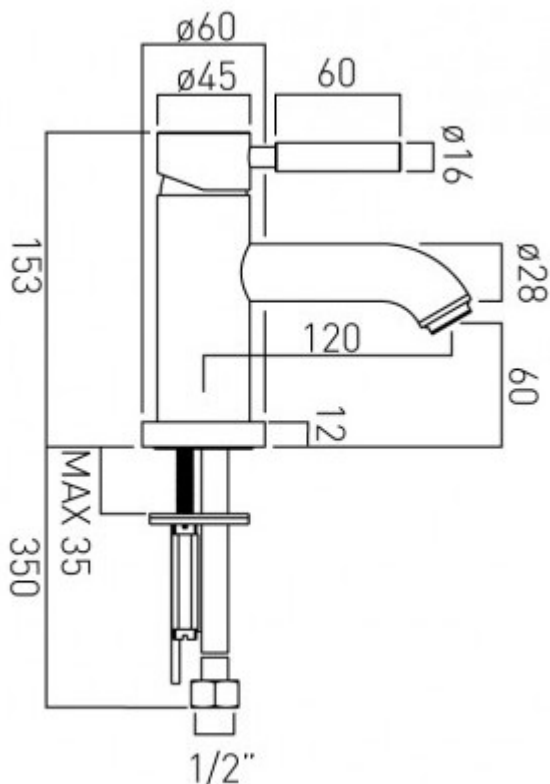


Technical sheet:

chrome with chrome handle: NUA-100/SB-C/P
chrome with black handle: NUA-100/SB-C/BLK
chrome with red handle: NUA-100/SB-C/RED
chrome with white handle: NUA-100/SB-C/WHT



technical drawing



description:

mono basin mixer
single lever
deck mounted
smooth bodied
without clic-clac waste
with water flow straightener
with water flow aerator
ceramic cartridge CAR-K35A
2 x 1/2" nut x 350mm flexipipe connections
deck mount drill hole diameter 33mm
chrome or chrome with coloured handle

finishes:

chrome with chrome handle
chrome with black handle
chrome with red handle
chrome with white handle

minimum operating pressure: 0.3 bar LP

Eco flow regulator: FR-100/5-PLA

guarantee:

chrome with chrome handle: 12 year guarantee
chrome with black handle: 12 year guarantee
chrome with red handle: 12 year guarantee
chrome with white handle: 12 year guarantee

VADO wedmore road cheddar somerset england bs27 3eb

tel 01934 744466 fax 01934 744345 sales@vado-uk.com www.vado-uk.com