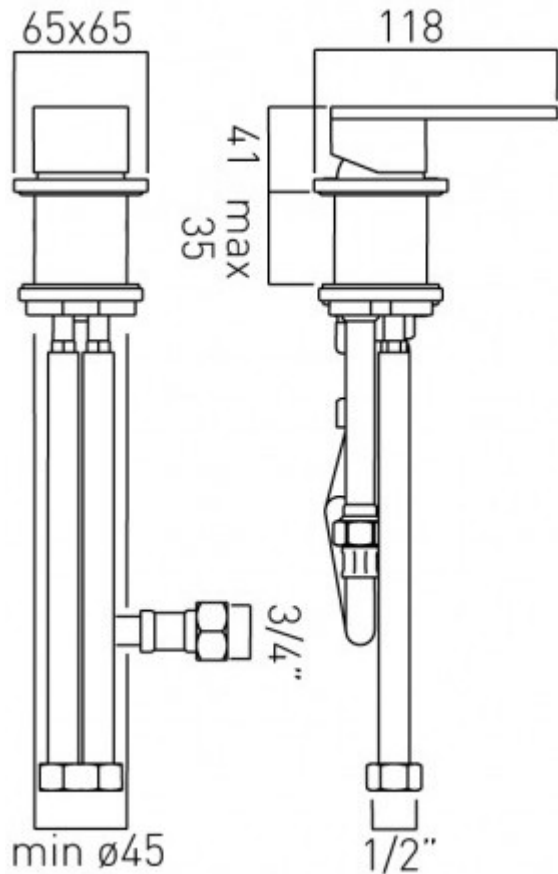




technical drawing



description:

valve for use with bath filler waste and overflow
single lever
deck mounted
ceramic cartridge CAR-K40A
2 x 1/2" nut x 550mm flexipipe connections
1 x 1/2" x 3/4" nut x 480mm flexipipe
connections
deck mount drill hole diameter 45mm

finishes:

chrome

minimum operating pressure: 1.0 bar MP

guarantee:

12 year guarantee

VADO wedmore road cheddar somerset england bs27 3eb

tel 01934 744466 fax 01934 744345 sales@vado-uk.com www.vado-uk.com