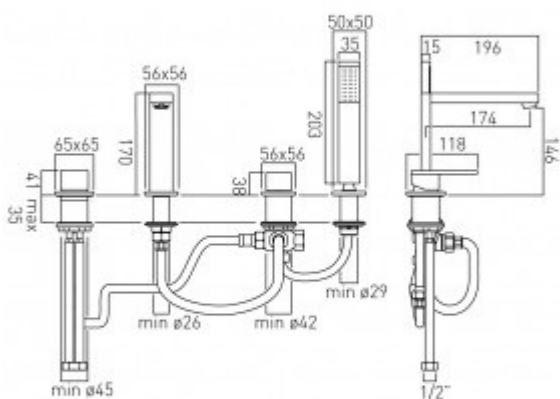




technical drawing



description:

4 hole bath shower mixer
single lever
deck mounted
with fixed spout
with shower kit
with water flow aerator
ceramic cartridge CAR-K40A
2 x 1/2" nut x 550mm flexipipe connections
1 x 3/4" x 1/2" nut x 480mm flexipipe connections
1 x 3/4" x 3/4" nut x 600mm flexipipe connections
shower deck mount drill hole diameter 29mm
diverter deck mount drill hole diameter 42mm
spout deck mount drill hole diameter 26mm
valve deck mount drill hole diameter 45mm

finishes:

chrome

minimum operating pressure: 3.0 bar HP

Eco flow regulator: FR-SHOWER/9-C/P

guarantee:

12 year guarantee

VADO wedmore road cheddar somerset england bs27 3eb

tel 01934 744466 fax 01934 744345 sales@vado-uk.com www.vado-uk.com